

COMPONENT SPECIFICATION

USE OR REPRODUCTION OF THIS DRAWING FOR THE PURPOSE OF MANUFACTURING THIS ARTICLE OR ANY ARTICLES SHOWN FOR ANY PURPOSE IS STRICTLY PROHIBITED WITHOUT WRITTEN PERMISSION FROM SENIOR INDUSTRIES, INC.

SPECIFICATIONS

ELECTRICAL:

CONTACT RATING: 300 mA @ 125 VAC
 CONTACT RESISTANCE: 20 MILLIOHMS MAX.
 INSULATION RESISTANCE: 100 MEGOHMS MIN. @ 500 VDC
 DIELECTRIC STRENGTH: 500 V RMS

MECHANICAL:

LIFE: 15,000 CYCLES
 ACTUATION FORCE: 400 ±150 GRAMS

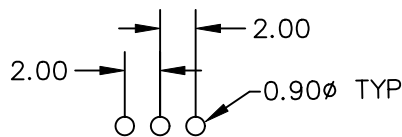
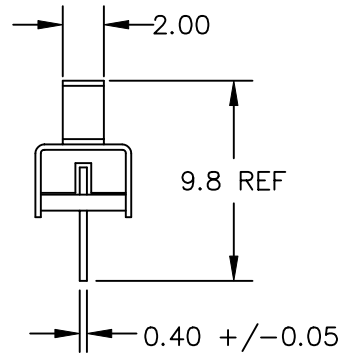
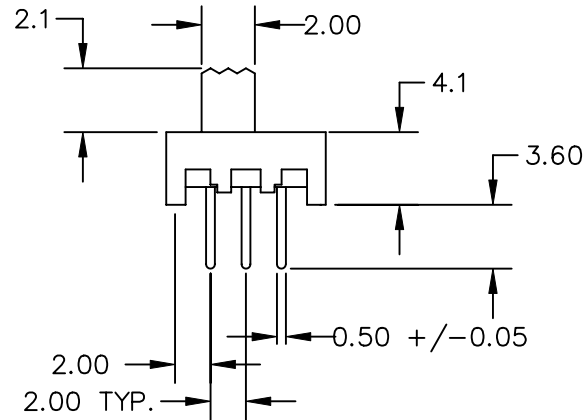
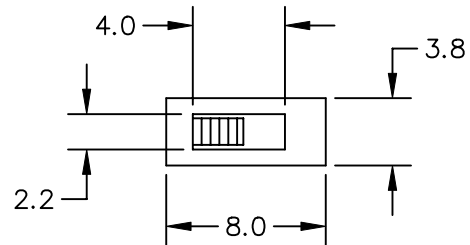
MATERIAL:

ACTUATOR: PBT, UL94V-0
 HOUSING: STEEL, TIN PLATED
 CONTACTS: PHOSPHOR BRONZE
 TERMINALS: BRASS
 PLATING: CONTACT AREA - GOLD OR SILVER OVER NICKEL
 TERMINATION AREA - TIN OVER NICKEL.

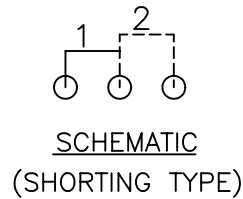
ENVIRONMENTAL:

OPERATING TEMPERATURE: -40°C TO +85°C

NOTE: 'X' IN PART NUMBER DENOTES PLATING:
 1 - SILVER PLATING
 3 - GOLD PLATING



PCB LAYOUT
COMPONENT SIDE



SCHEMATIC
(SHORTING TYPE)

TELECOM GRADE



SENIOR INDUSTRIES, INC.

| | | | | | | | |
|-----------|-----|----------|------|----------|---|--------|-------|
| DESIGNED: | | | SYM. | DATE: | DESCRIPTION OF REVISIONS: | DRAWN: | APPD: |
| DRAWN: | TSF | 11/28/98 | ▲ | 08.16.99 | Transfer from original factory drawing to CAD | RB | JF |
| CHECKED: | GAT | 09/09/05 | ▲ | 08.25.05 | New Index, Spec Updates, Notes Corrected | KO | JF |
| APPROVED: | JF | 11/03/05 | ▲ | . | | | |
| | | | ▲ | . | | | |

| | | |
|---------------------------|----------|--------------|
| TOLERANCE: | PART NO: | 12LP2UX |
| TO 1 DECIMAL PLACE: ±.2 | TITLE: | SLIDE SWITCH |
| TO 2 DECIMAL PLACES: ±.10 | SHEET: | 1 OF 1 |
| AS ANGLES: ±1/2° | | |

| | | | | | | | |
|-----------|--|-------|----|--------|-----|------|---|
| 3RD ANGLE | | UNIT: | mm | SCALE: | 2:1 | REV. | D |
|-----------|--|-------|----|--------|-----|------|---|