

COMPONENT SPECIFICATION

USE OR REPRODUCTION OF THIS DRAWING FOR THE PURPOSE OF MANUFACTURING THIS ARTICLE OR ANY ARTICLES SHOWN FOR ANY PURPOSE IS STRICTLY PROHIBITED WITHOUT WRITTEN PERMISSION FROM SENIOR INDUSTRIES, INC.

SPECIFICATIONS

ELECTRICAL:

CONTACT RATING: 300 mA @ 125 VAC
 CONTACT RESISTANCE: 20 MILLIOHMS MAX.
 INSULATION RESISTANCE: 100 MEGOHMS MIN. @ 500 VDC
 DIELECTRIC STRENGTH: 500 V RMS

MECHANICAL:

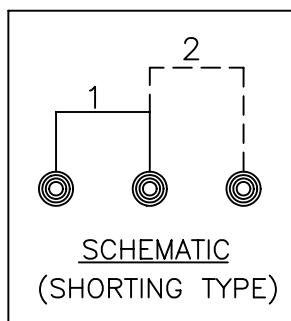
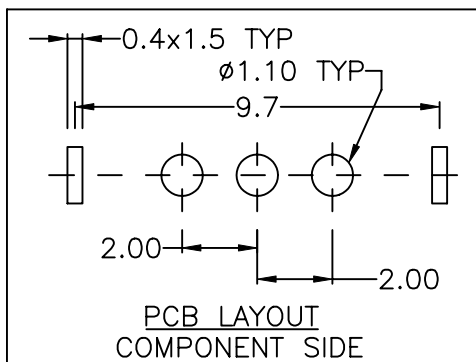
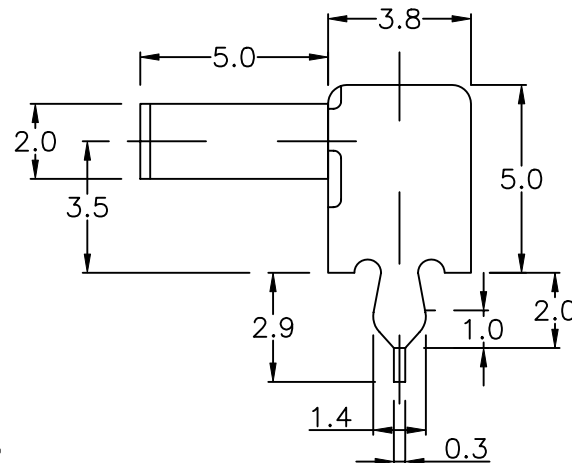
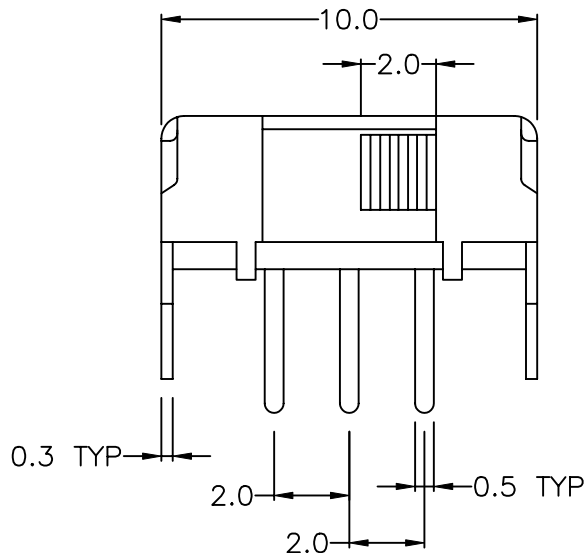
LIFE: 15,000 CYCLES
 ACTUATION FORCE: 400 ±150 GRAMS

MATERIAL:

ACTUATOR: PBT, UL94V-0
 HOUSING: STEEL, TIN PLATED
 CONTACT: PHOSPHOR BRONZE
 TERMINALS: BRASS
 CONTACT/TERMINALS PLATING: GOLD OR SILVER OVER NICKEL

ENVIRONMENTAL:

OPERATING TEMPERATURE: -40°C TO +85°C



NOTE: 'X' IN PART NUMBER DENOTES PLATING:

- 1 - SILVER PLATING
- 3 - GOLD PLATING

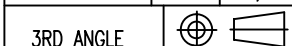


SENIOR INDUSTRIES, INC.

TELECOM GRADE

DESIGNED:			SYM.	DATE:	DESCRIPTION OF REVISIONS:	DRAWN:	APPD:
DRAWN:	GAT	03/08/05	▲	11.15.97	NEW	JF	JF
CHECKED:	GAT	11/09/05	▲	09.22.05	New index. Spec updated. Note=plating added	GAT	JF
APPROVED:	JF	11/10/05	▲	11.09.05	Part not selectively pl: Au/Ag ov Ni in cont/term	GAT	JF
			▲	.	.		
			▲	.	.		

TOLERANCE:	PART NO:	12SS4RX
TO 1 DECIMAL PLACE: ±.3	TITLE:	SLIDE SWITCH
TO 2 DECIMAL PLACES: ±.12	SHEET:	1 OF 1
AS ANGLES: ±1/2°		



UNIT:	mm	SCALE:	4:1	REV.	C
-------	----	--------	-----	------	---