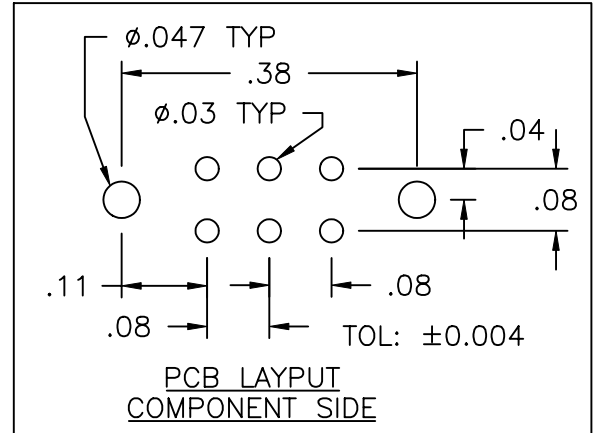
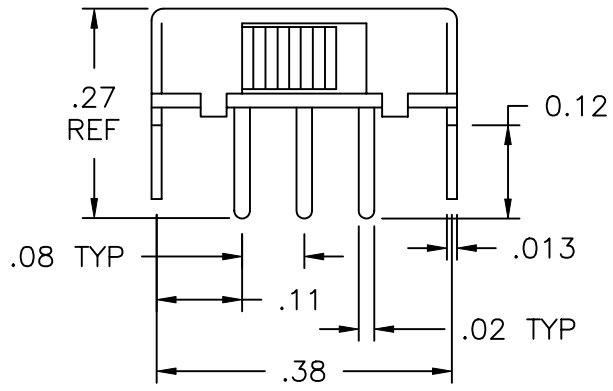
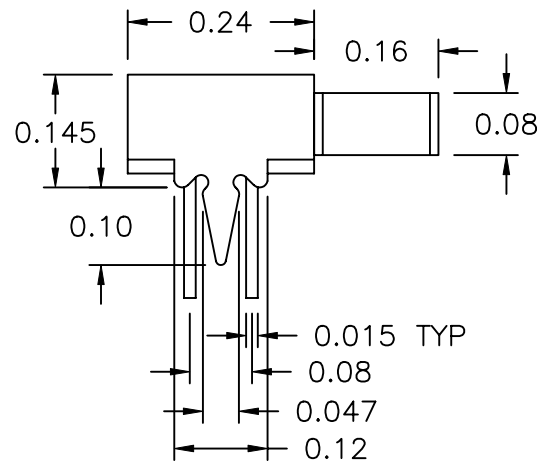


1	2	3	4	5
COMPONENT SPECIFICATION	USE OR REPRODUCTION OF THIS DRAWING FOR THE PURPOSE OF MANUFACTURING THIS ARTICLE OR ANY ARTICLES SHOWN FOR ANY PURPOSE IS STRICTLY PROHIBITED WITHOUT WRITTEN PERMISSION FROM SENIOR INDUSTRIES, INC.			

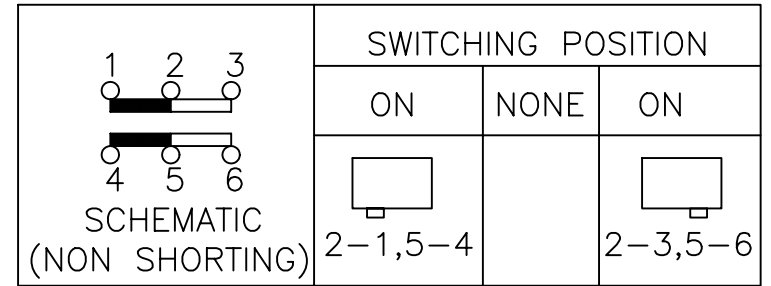
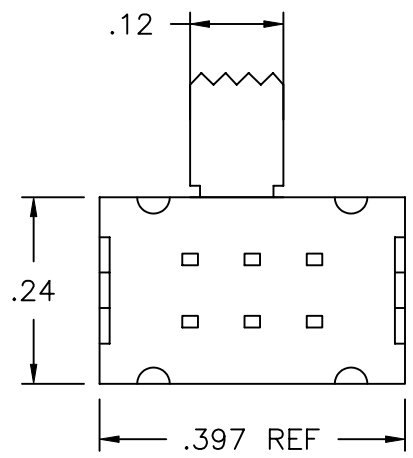
A



B

**NOTES:**

1. TERMINAL NUMBERS ARE FOR REFERENCE ONLY. HOUSING TO BE STAMPED WITH SR. NAME AND 22LP4R
2. 'X' IN PART NUMBER DENOTES PLATING:
  - 1 - SILVER PLATING
  - 3 - GOLD PLATING



C

TELECOM GRADE



DESIGNED:			SYM.	DATE:	DESCRIPTION OF REVISIONS:	DRAWN:	APPD:	TOLERANCE:	PART NO:	22LP4RX
DRAWN:	GAT	03/09/05	▲	11.09.05	Part not selectively pl: Au/Ag ov Ni in cont/term	GAT	JF			
CHECKED:	GAT	11/28/07	▲	11.02.07	Added terminal plate	GAT	JF	TO 3 DECIMAL PLACES: ±.005	SHEET:	1 OF 2
APPROVED:	JF	11/28/07	▲	11.07.07	Corrected Electrical & mech. specs	GAT	JF			
			▲	11.12.07	Corrected insul resistance & added DC rating	GAT	JF			
			▲	11.28.07	Corr'd terminal plate from Nylon 66, V-0 to Phenolic	GAT	JF			
3RD ANGLE		UNIT:	inches	SCALE:	4:1	REV:	G			

1

2

3

4

5

COMPONENT  
SPECIFICATIONUSE OR REPRODUCTION OF THIS DRAWING FOR THE PURPOSE OF MANUFACTURING THIS  
ARTICLE OR ANY ARTICLES SHOWN FOR ANY PURPOSE IS STRICTLY PROHIBITED WITHOUT  
WRITTEN PERMISSION FROM SENIOR INDUSTRIES, INC.

A

SPECIFICATIONS:ELECTRICAL:

CONTACT RATING: 300mA @ 125 VAC, 200mA @ 50 VDC  
 CONTACT RESISTANCE: 20 MILLIOHMS MAX.  
 INSULATION RESISTANCE: 1000 MEGOHMS MIN. @ 500 VDC  
 DIELECTRIC STRENGTH: 500 V RMS

MECHANICAL:

OPERATING LIFE: 15,000 CYCLES

MATERIAL:

ACTUATOR: PBT, UL94V-0, BLACK  
 HOUSING: STEEL, TIN PLATED  
 TERMINAL PLATE: PHENOLIC  
 DETENT: STAINLESS STEEL  
 MOVING CONTACT: PHOSPHOR BRONZE  
 TERMINALS: BRASS  
 CONTACT/TERMINALS PLATING: GOLD OR SILVER OVER NICKEL

ENVIRONMENTAL:

OPERATING TEMPERATURE: -40°C TO +85°C

B

C


**SENIOR  
INDUSTRIES, INC.**

DESIGNED:			SYM.	DATE:	DESCRIPTION OF REVISIONS:	DRAWN:	APPD:	TOLERANCE:	PART NO:	22LP4RX
DRAWN:	GAT	03/09/05	△	11.09.05	Part not selectively pl: Au/Aq ov Ni in cont/term	GAT	JF	TO 2 DECIMAL PLACE: ±	TITLE:	SLIDE SWITCH
CHECKED:	GAT	11/28/07	△	11.02.07	Added terminal plate	GAT	JF			
APPROVED:	JF	11/28/07	△	11.07.07	Corrected electrical & mech. specs	GAT	JF	TO 3 DECIMAL PLACES: ±	SHEET:	2 OF 2
			△	11.12.07	Corrected insul resistance & added DC rating	GAT	JF			
			△	11.28.07	Corr'd terminal plate from Nylon 66, V-0 to Phenolic	GAT	JF	AS ANGLES: ±		
3RD ANGLE			UNIT:	inches	SCALE:		REV:	G		