

COMPONENT SPECIFICATION

USE OR REPRODUCTION OF THIS DRAWING FOR THE PURPOSE OF MANUFACTURING THIS ARTICLE OR ANY ARTICLES SHOWN FOR ANY PURPOSE IS STRICTLY PROHIBITED WITHOUT WRITTEN PERMISSION FROM SENIOR INDUSTRIES, INC.

SPECIFICATIONS

ELECTRICAL:

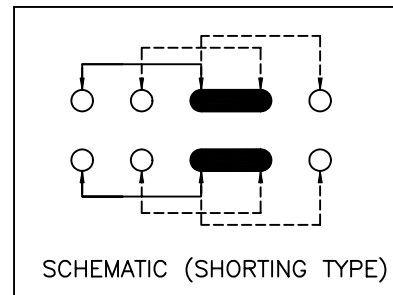
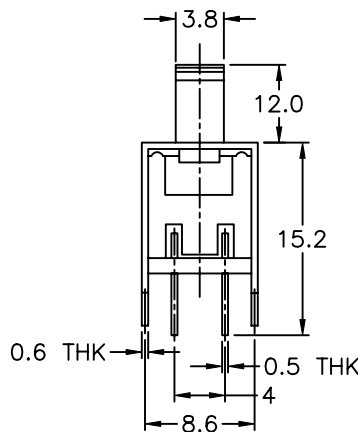
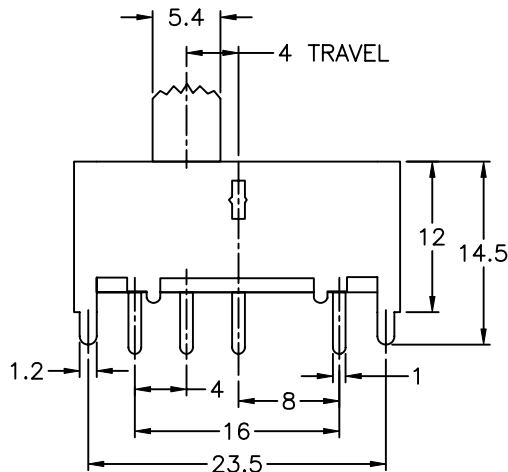
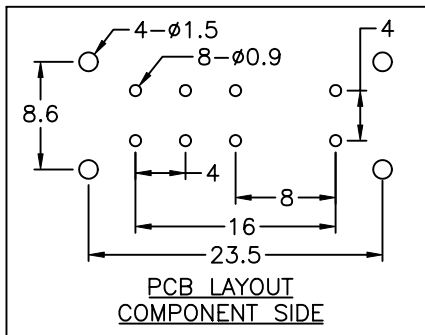
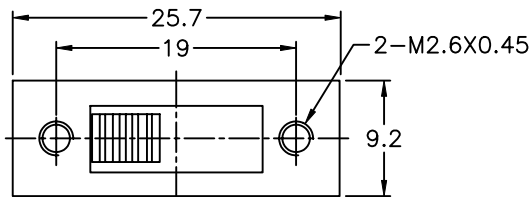
CONTACT RATING: 300 mA @ 125 VAC
 CONTACT RESISTANCE: 20 MILLIOHMS MAX.
 INSULATION RESISTANCE: 100 MEGOHMS MIN. @ 500 VDC
 DIELECTRIC STRENGTH: 500V AC FOR 1 MINUTE

MECHANICAL:

LIFE: 15,000 CYCLES
 ACTUATION FORCE: 400 ±150 GRAMS

ENVIRONMENTAL:

OPERATING TEMPERATURE: -20°C TO +70°C



7	CONTACT CLIP	2	PBS, SILVER OR GOLD PLATED
6	STEEL BALL	2	STEEL, NATURAL FINISH
5	SPRING	1	STEEL WIRE, TEMPER
4	TERMINAL	8	BRASS, SILVER PLATED OVER NICKEL
3	BASE	1	PHENOLIC RESIN, BLACK
2	FRAME	1	STEEL, NICKEL PLATED
1	ACTUATOR	1	POM, BLACK
ITEM	DESCRIPTION	QTY	MATERIAL/FINISH

NOTE: 'X' IN PART NUMBER DENOTES CONTACT PLATING:
 1 - SILVER PLATING
 3 - GOLD PLATING



SENIOR INDUSTRIES, INC.

DESIGNED:	DRAWN:	CHECKED:	APPROVED:	SYM.	DATE:	DESCRIPTION OF REVISIONS:	DRAWN:	APPD:
	GAT	GAT	JF	△	10.03.07	NEW	GAT	JF
				△	.	.		
				△	.	.		
				△	.	.		

TOLERANCE:	PART NO:	23MS3UX
TO 1 DECIMAL PLACE: ±.3	TITLE:	SLIDE SWITCH
TO 2 DECIMAL PLACES: ±.12	SHEET:	1 OF 1
AS ANGLES: ±1/2°		

3RD ANGLE	UNIT:	mm [IN]	SCALE:	2:1	REV:	A
-----------	-------	---------	--------	-----	------	---