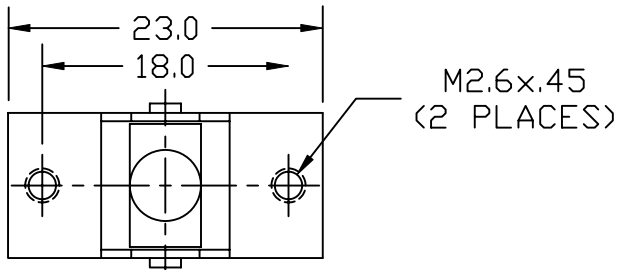
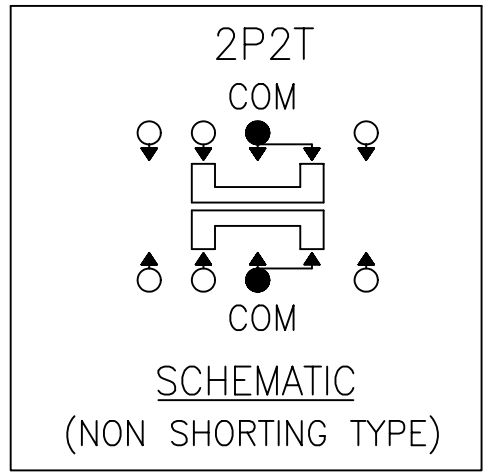
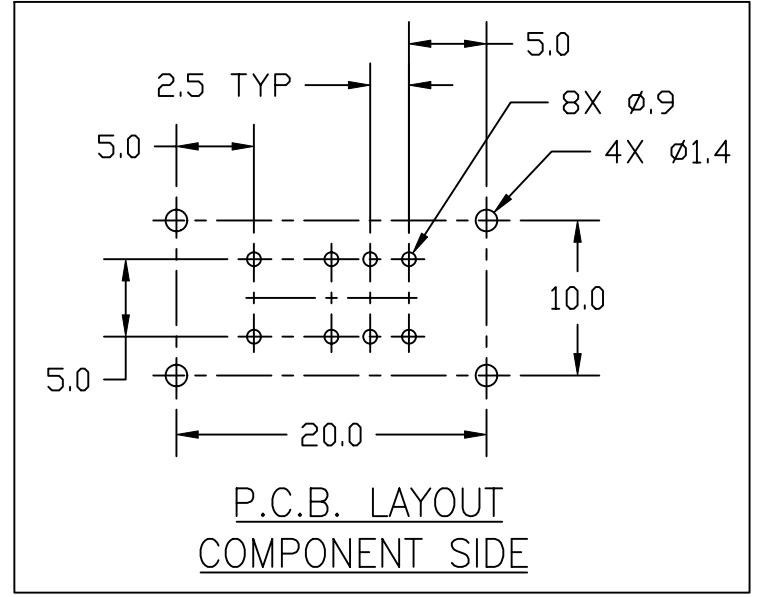
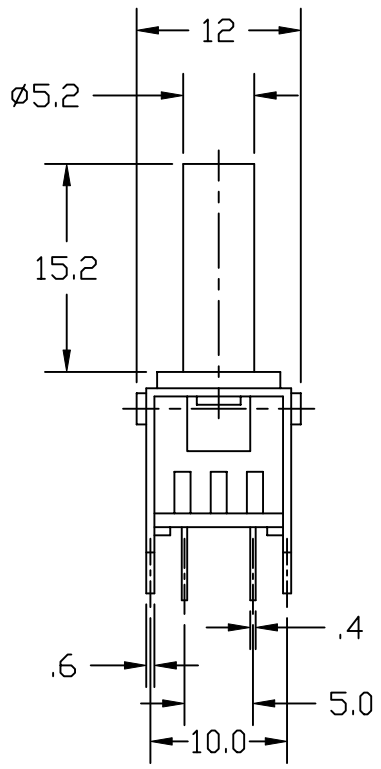
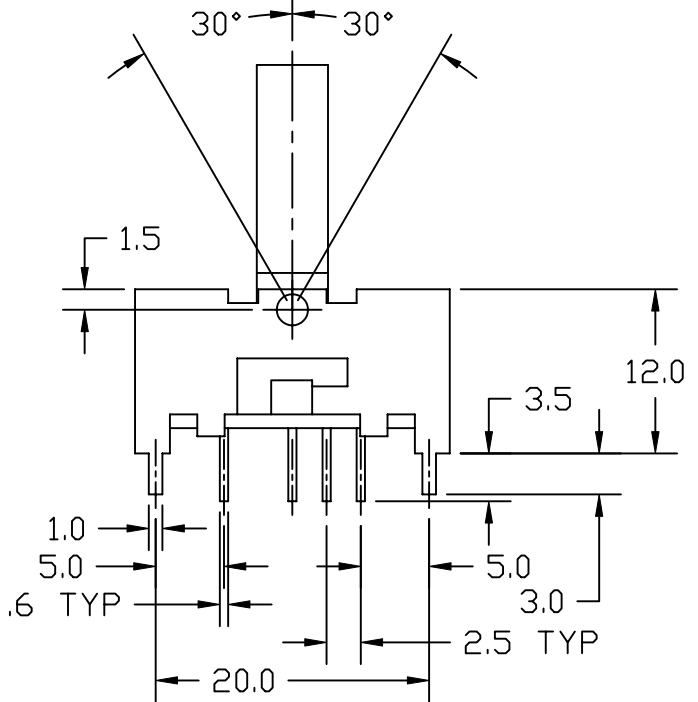


1	2	3	4	5
COMPONENT SPECIFICATION	USE OR REPRODUCTION OF THIS DRAWING FOR THE PURPOSE OF MANUFACTURING THIS ARTICLE OR ANY ARTICLES SHOWN FOR ANY PURPOSE IS STRICTLY PROHIBITED WITHOUT WRITTEN PERMISSION FROM SENIOR INDUSTRIES, INC.			

A



B



C

TELECOM GRADE



DESIGNED:			SYM.	DATE:	DESCRIPTION OF REVISIONS:	DRAWN:	APPD:	TOLERANCE:	PART NO:	23TSA1UX
DRAWN:	GAM	08/03/99	▲	08.03.99	NEW	TF	JF			
CHECKED:	GAT	11/09/05	▲	11.09.05	New Index, Spec Updates, Notes Corrected	GAT	JF	TO 2 DECIMAL PLACES: ±.13	SHEET:	1 OF 2
APPROVED:	JF	11/11/05	▲							
3RD ANGLE		UNIT:	mm	SCALE:	2:1	REV.	B			

1

2

3

4

5

COMPONENT SPECIFICATION

USE OR REPRODUCTION OF THIS DRAWING FOR THE PURPOSE OF MANUFACTURING THIS ARTICLE OR ANY ARTICLES SHOWN FOR ANY PURPOSE IS STRICTLY PROHIBITED WITHOUT WRITTEN PERMISSION FROM SENIOR INDUSTRIES, INC.

SPECIFICATIONS

ELECTRICAL:

CONTACT RATING: 0.3A AT 125VAC; 100mA AT 12VDC

CONTACT RESISTANCE: 20 MILLIOHMS MAX.

INSULATION RESISTANCE: 100 MEGOHMS MIN. @ 500 VDC

DIELECTRIC STRENGTH: 500 V RMS

MECHANICAL:

OPERATING LIFE: 10,000 CYCLES

ACTUATION FORCE: 200±100gf

MATERIAL:

ACTUATOR: ANODIZED ALUMINUM, BLACK

HOUSING: STEEL, TIN PLATED

CONTACTS: PHOSPHOR BRONZE

TERMINALS: BRASS

PLATING: CONTACT AREA – GOLD OR SILVER OVER NICKEL

TERMINATION AREA – TIN OVER NICKEL.

ENVIRONMENTAL:

OPERATING TEMPERATURE: -40°C TO +85°C

X SUFFIX IN PART NUMBER DENOTES PLATING OPTIONS:

1 – SILVER PLATING

3 – GOLD PLATING



SENIOR INDUSTRIES, INC.

DESIGNED:			SYM.	DATE:	DESCRIPTION OF REVISIONS:	DRAWN:	APPD:	TOLERANCE:	PART NO:	23TSA1UX
DRAWN:	GAM	08/03/99	▲	08.03.99	NEW	TF	JF			
CHECKED:	GAT	11/09/05	▲	11.09.05	New Index, Spec Updates, Notes Corrected	GAT	JF	TO 2 DECIMAL PLACES: ±	SHEET:	2 OF 2
APPROVED:	JF	11/11/05	▲	.	.					
3RD ANGLE			UNIT:	mm	SCALE:		REV.	B		