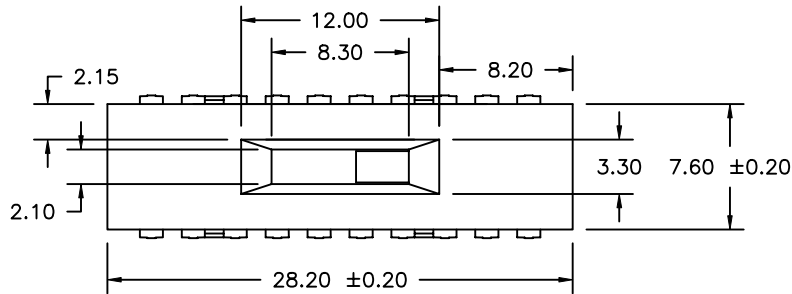


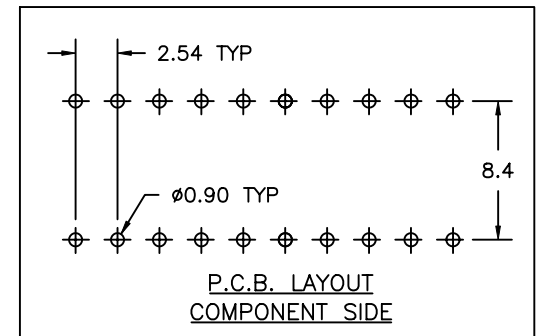
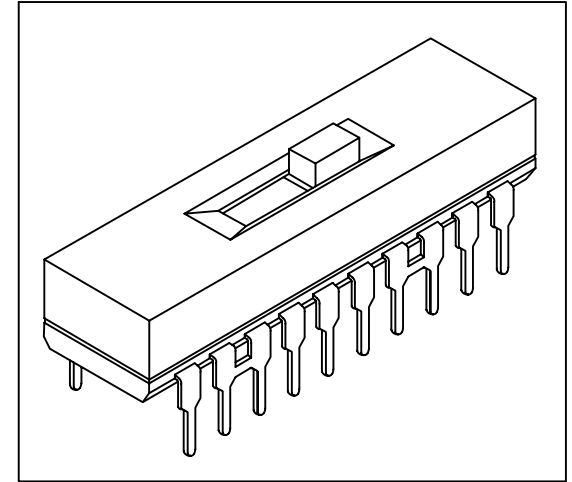
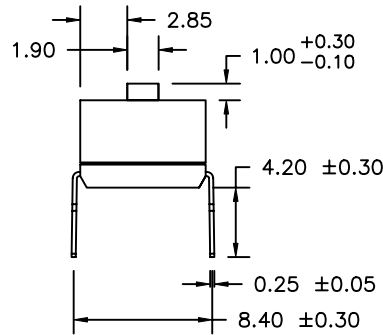
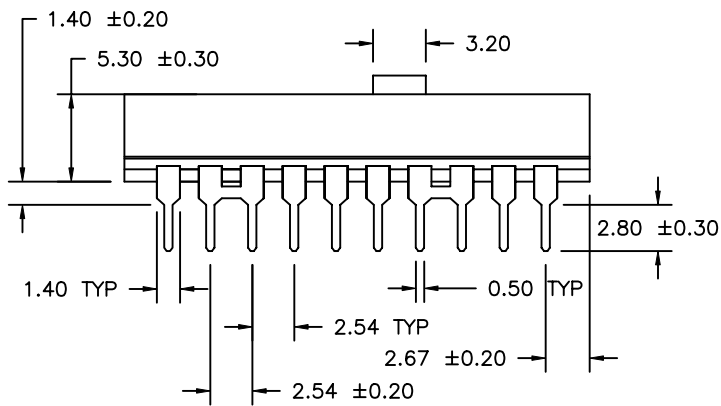
COMPONENT SPECIFICATION

USE OR REPRODUCTION OF THIS DRAWING FOR THE PURPOSE OF MANUFACTURING THIS ARTICLE OR ANY ARTICLES SHOWN FOR ANY PURPOSE IS STRICTLY PROHIBITED WITHOUT WRITTEN PERMISSION FROM SENIOR INDUSTRIES, INC.

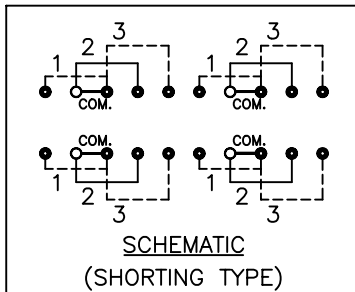
A



B



C



NOTES:

'X' IN PART NUMBER DENOTES PLATING:

- 1 - SILVER PLATING
- 3 - GOLD PLATING

TELECOM GRADE



DESIGNED:			SYM.	DATE:	DESCRIPTION OF REVISIONS:	DRAWN:	APPD.:	TOLERANCE:	PART NO:	743SAS2UX
DRAWN:	HV	03/23/94	▲	04.06.94	NEW	JF	JF			
CHECKED:	GAT	11/30/05	▲	12.31.01	Removed "Sealed" from Title.	RB	TF	TO 2 DECIMAL PLACES: ±.10	SCALE	1 OF 2
APPROVED:	JF	11/30/05	▲	11.30.05	New index, Note changed, Spec added	GAT	JF			
3RD ANGLE		UNIT:	mm	SCALE:	2:1	REV.	C			

1

2

3

4

5

COMPONENT
SPECIFICATIONUSE OR REPRODUCTION OF THIS DRAWING FOR THE PURPOSE OF MANUFACTURING THIS
ARTICLE OR ANY ARTICLES SHOWN FOR ANY PURPOSE IS STRICTLY PROHIBITED WITHOUT
WRITTEN PERMISSION FROM SENIOR INDUSTRIES, INC.

A

SPECIFICATIONSELECTRICAL:

CONTACT RATING: 300 mA @ 125 VAC
 CONTACT RESISTANCE: 20 MILLIOHMS MAX.
 INSULATION RESISTANCE: 100 MEGOHMS MIN. @ 500 VDC
 DIELECTRIC STRENGTH: 500 V RMS

MECHANICAL:

LIFE: 15,000 CYCLES
 ACTUATION FORCE: 400 ±150 GRAMS

MATERIAL:

HOUSING: PBT G30, UL94V-0
 ACTUATOR: VALOX 357, UL94V-0
 MOVING CONTACT: PHOSPHOR BRONZE
 CONTACT CARRIER: MARANYL NYLON 6/6 G8.1, UL94V-0
 FIXED CONTACT/TERMINAL: BRASS
 PLATING: CONTACT AREA - GOLD OR SILVER OVER NICKEL
 TERMINATION AREA - TIN OVER NICKEL.

ENVIRONMENTAL:

OPERATING TEMPERATURE: -40°C TO +85°C

B

C


**SENIOR
INDUSTRIES, INC.**

DESIGNED:			SYM.	DATE:	DESCRIPTION OF REVISIONS:	DRAWN:	APPD:	TOLERANCE:	PART NO:	43SAS2UX
DRAWN:	HV	03/23/94	▲	04.06.94	NEW	JF	JF			
CHECKED:	GAT	11/30/05	▲	12.31.01	Removed "Sealed" from Title.	RB	TF			
APPROVED:	JF	11/30/05	▲	11.30.05	New index, Note changed, Spec added	GAT	JF	AS ANGLES: ± °	SCALE	2 OF 2
3RD ANGLE		UNIT:	mm	SCALE:		REV.	C			