

COMPONENT SPECIFICATION

USE OR REPRODUCTION OF THIS DRAWING FOR THE PURPOSE OF MANUFACTURING THIS ARTICLE OR ANY ARTICLES SHOWN FOR ANY PURPOSE IS STRICTLY PROHIBITED WITHOUT WRITTEN PERMISSION FROM SENIOR INDUSTRIES, INC.

SPECIFICATIONS

ELECTRICAL:

CONTACT RATING: 300 mA @ 50 VDC
 CONTACT RESISTANCE: 30 MILLIOHMS MAX.
 INSULATION RESISTANCE: 100 MEGOHMS MIN. @ 500 VDC
 DIELECTRIC STRENGTH: 500 V RMS

MECHANICAL:

LIFE: 10,000 CYCLES

MATERIAL:

ACTUATOR: POM, BLACK
 HOUSING: STAINLESS STEEL
 CONTACTS/TERMINALS: COPPER ALLOY, SILVER PLATED

ENVIRONMENTAL:

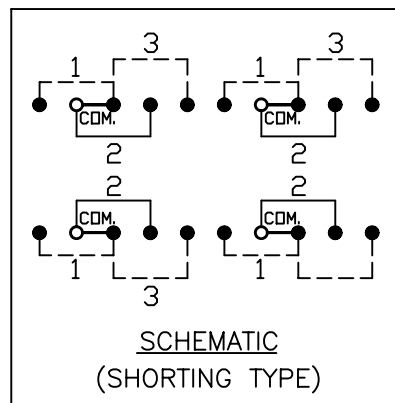
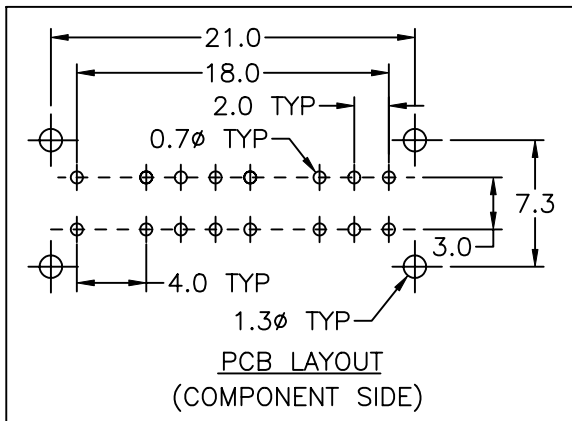
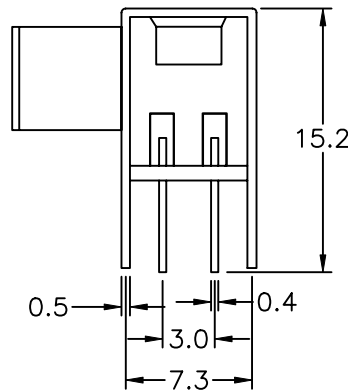
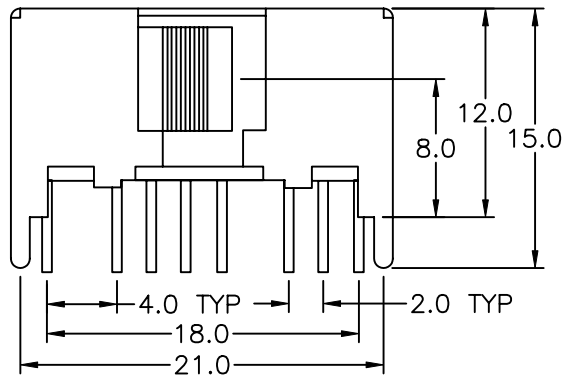
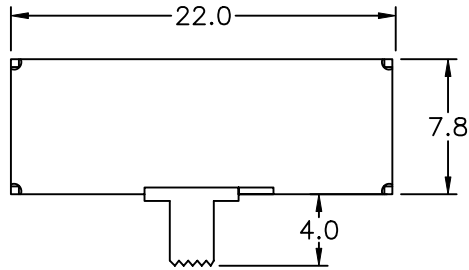
OPERATING TEMPERATURE: -16°C TO +60°C

PART NUMBER BUILDER:

POLES THROWS MODEL SERIES ACTUATOR PLATING



1-SILVER OVER NICKEL
 R-RIGHT ANGLE



TELECOM GRADE



SENIOR INDUSTRIES, INC.

DESIGNED:			SYM.	DATE:	DESCRIPTION OF REVISIONS:	DRAWN:	APPD:
DRAWN:	RB	11/29/01	▲	01.06.04	NEW	RB	TF
CHECKED:	GAT	12/01/05	▲	12.01.05	New indicator, Telecom Grade note	GAT	JF
APPROVED:	JF	12/01/05	▲	.			
			▲	.			
			▲	.			

TOLERANCE:	PART NO:	43SS1R1
TO 1 DECIMAL PLACE: ±.2	TITLE:	SLIDE SWITCH
TO 2 DECIMAL PLACES: ±.10	SHEET:	1 OF 1
AS ANGLES: ±1/2°		

3RD ANGLE		UNIT:	mm	SCALE:	3:1	REV.	B
-----------	--	-------	----	--------	-----	------	---