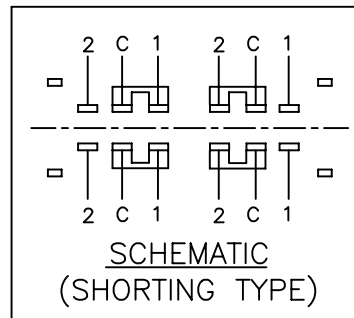
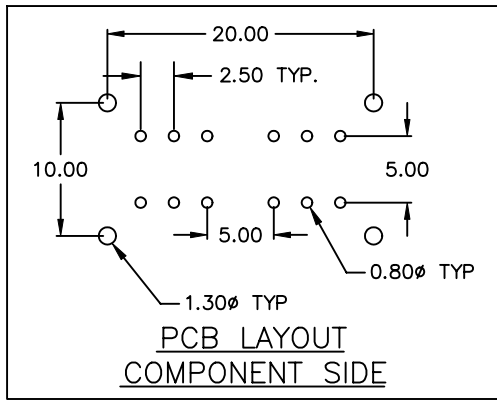
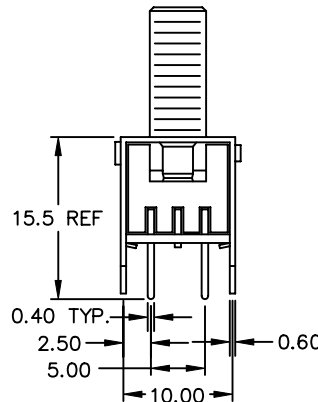
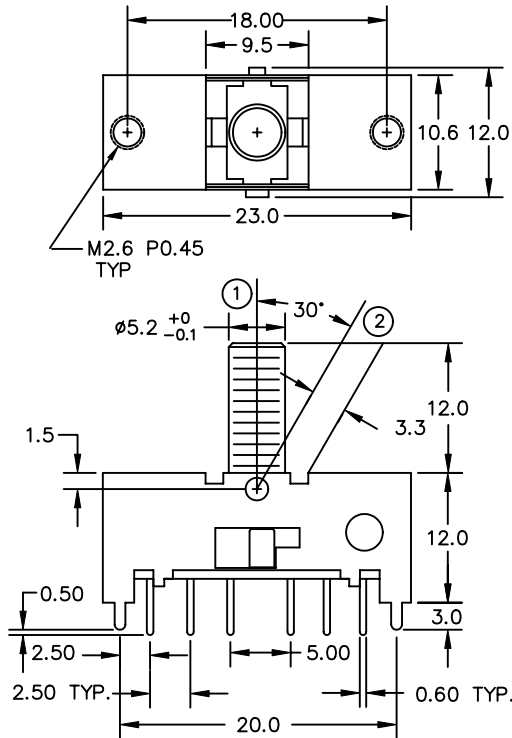


COMPONENT SPECIFICATION

USE OR REPRODUCTION OF THIS DRAWING FOR THE PURPOSE OF MANUFACTURING THIS ARTICLE OR ANY ARTICLES SHOWN FOR ANY PURPOSE IS STRICTLY PROHIBITED WITHOUT WRITTEN PERMISSION FROM SENIOR INDUSTRIES, INC.



SPECIFICATIONS

ELECTRICAL:

CONTACT RATING: 0.3A AT 125VAC; 100mA AT 12VDC
 CONTACT RESISTANCE: 20 MILLIOHMS MAX.
 INSULATION RESISTANCE: 100 MEGOHMS MIN. @ 500 VDC
 DIELECTRIC STRENGTH: 500 V RMS

MECHANICAL:

OPERATING LIFE: 10,000 CYCLES
 ACTUATION FORCE: 200±100gf

MATERIAL:

ACTUATOR: ANODIZED ALUMINUM, BLACK
 HOUSING: STEEL, TIN PLATED
 CONTACTS: PHOSPHOR BRONZE
 TERMINALS: BRASS
 PLATING: SILVER OVER NICKEL

ENVIRONMENTAL:

OPERATING TEMPERATURE: -40°C TO +85°C

TELECOM GRADE



SENIOR INDUSTRIES, INC.

DESIGNED:			SYM:	DATE:	DESCRIPTION OF REVISIONS:	DRAWN:	APPD:
DRAWN:	TSF	11/28/98	▲	08.16.99	Transfer original drawing to CAD format	RB	JF
CHECKED:	GAT	12/05/05	▲	09.01.05	New Index, Spec added, Notes removed	KO	JF
APPROVED:	JF	12/05/05	▲	.			
			▲	.			

TOLERANCE:	PART NO:	43TSA21
TO 1 DECIMAL PLACE: ±.2	TITLE:	SLIDE SWITCH
TO 2 DECIMAL PLACES: ±.10	SHEET:	1 OF 1

3RD ANGLE		UNIT:	mm	SCALE:	2:1	REV.	D
-----------	--	-------	----	--------	-----	------	---

AS ANGLES:	±1/2°
------------	-------