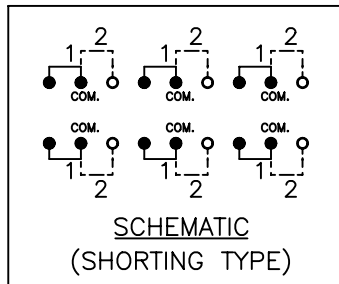
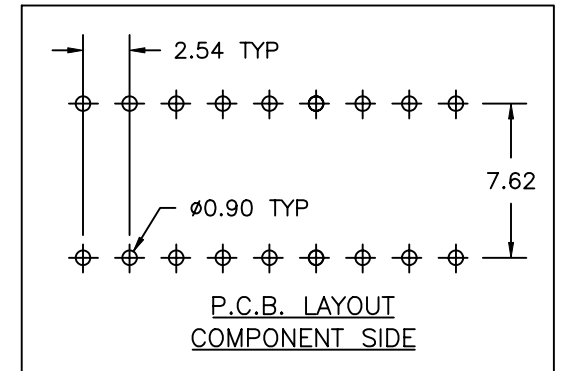
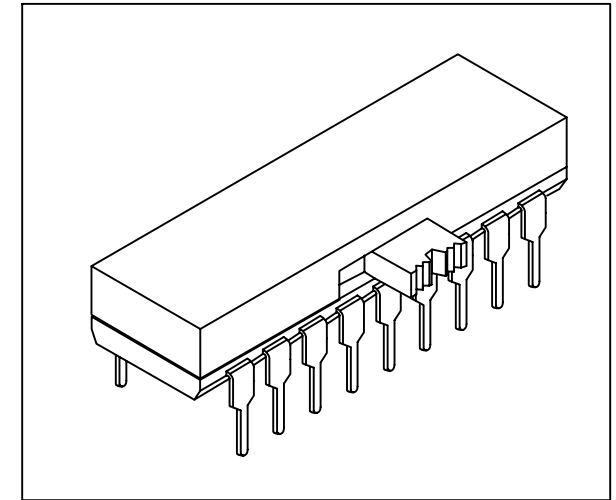
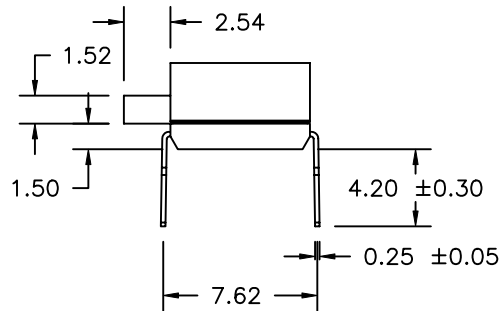
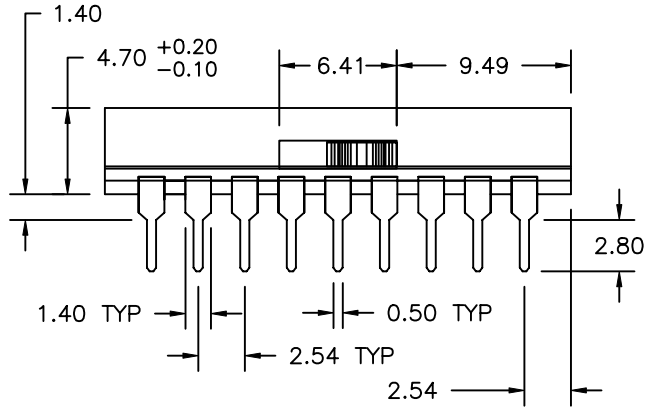
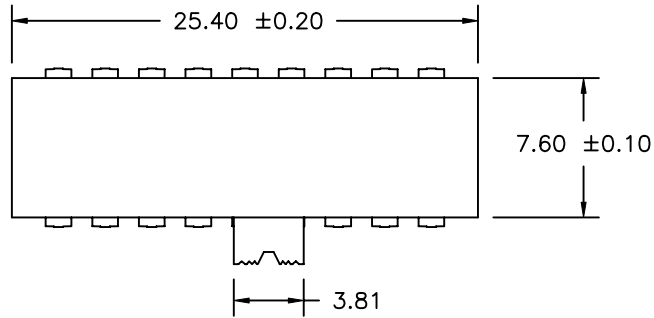


COMPONENT SPECIFICATION

USE OR REPRODUCTION OF THIS DRAWING FOR THE PURPOSE OF MANUFACTURING THIS ARTICLE OR ANY ARTICLES SHOWN FOR ANY PURPOSE IS STRICTLY PROHIBITED WITHOUT WRITTEN PERMISSION FROM SENIOR INDUSTRIES, INC.



NOTES:

- SWITCH IS AUTO INSERTABLE.
- 'X' IN PART NUMBER DENOTES PLATING:
1 - SILVER PLATING
3 - GOLD PLATING

TELECOM GRADE



SENIOR INDUSTRIES, INC.

DESIGNED:			SYM.	DATE:	DESCRIPTION OF REVISIONS:	DRAWN:	APPD:
DRAWN:	HV	04/06/97	▲	05.28.97	NEW	TF	JF
CHECKED:	GAT	12/05/05	▲	06.13.97	Ched dim between terminals from 8.40 to 7.62	JF	JF
APPROVED:	JF	12/05/05	▲	12.31.01	Added Note 2. removed 'Sealed' from the Title	RB	TF
			▲	12.05.05	New Index, Spec added repl SR1101, Notes corr	GAT	JF

TOLERANCE:	PART NO:	762SAS3RX
TO 1 DECIMAL PLACE: ±	TITLE:	SLIDE SWITCH
TO 2 DECIMAL PLACES: ±.13	SCALE	1 OF 2

3RD ANGLE		UNIT: mm	SCALE: 3:1	REV. D	AS ANGLES: ±1/2'
-----------	--	----------	------------	--------	------------------

1

2

3

4

5

COMPONENT
SPECIFICATIONUSE OR REPRODUCTION OF THIS DRAWING FOR THE PURPOSE OF MANUFACTURING THIS
ARTICLE OR ANY ARTICLES SHOWN FOR ANY PURPOSE IS STRICTLY PROHIBITED WITHOUT
WRITTEN PERMISSION FROM SENIOR INDUSTRIES, INC.SPECIFICATIONSELECTRICAL:

CONTACT RATING: 300 mA @ 125 VAC
 CONTACT RESISTANCE: 20 MILLIOHMS MAX.
 INSULATION RESISTANCE: 100 MEGOHMS MIN. @ 500 VDC
 DIELECTRIC STRENGTH: 500 V RMS

MECHANICAL:

LIFE: 15,000 CYCLES
 ACTUATION FORCE: 400 ±150 GRAMS

MATERIAL:

HOUSING: PBT G30, UL94V-0
 ACTUATOR: VALOX 357, UL94V-0
 MOVING CONTACT: PHOSPHOR BRONZE
 CONTACT CARRIER: MARANYL NYLON 6/6 G8.1, UL94V-0
 FIXED CONTACT/TERMINAL: BRASS
 PLATING: CONTACT AREA - GOLD OR SILVER OVER NICKEL
 TERMINATION AREA - TIN OVER NICKEL.

ENVIRONMENTAL:

OPERATING TEMPERATURE: -40°C TO +85°C


**SENIOR
INDUSTRIES, INC.**

DESIGNED:			SYM.	DATE:	DESCRIPTION OF REVISIONS:	DRAWN:	APPD:	TOLERANCE:	PART NO:	62SAS3RX
DRAWN:	HV	04/06/97	▲	05.28.97	NEW	TF	JF			
CHECKED:	GAT	12/05/05	▲	06.13.97	Ched dim between terminals from 8.40 to 7.62	JF	JF	TO 1 DECIMAL PLACE: ±	TITLE:	SLIDE SWITCH
APPROVED:	JF	12/05/05	▲	12.31.01	Added Note 2. removed 'Sealed' from the Title	RB	TF	TO 2 DECIMAL PLACES: ±		
			▲	12.05.05	New Index, Spec added repl SR1101, Notes corr	GAT	JF	AS ANGLES: ±	SCALE	2 OF 2
3RD ANGLE		UNIT:	mm	SCALE:		REV.	D			