

COMPONENT SPECIFICATION

USE OR REPRODUCTION OF THIS DRAWING FOR THE PURPOSE OF MANUFACTURING THIS ARTICLE OR ANY ARTICLES SHOWN FOR ANY PURPOSE IS STRICTLY PROHIBITED WITHOUT WRITTEN PERMISSION FROM SENIOR INDUSTRIES, INC.

SPECIFICATIONS

ELECTRICAL

CONTACT RATING: 1.5A AT 125 VAC
 CONTACT RESISTANCE: 30 MILLIOHMS MAX.
 INSULATION RESISTANCE: 500 MEGOHMS MIN. AT 500 VDC
 DIELECTRIC STRENGTH: 1000 VRMS FOR 1 MINUTE

MECHANICAL

LIFE: 750 CYCLES MIN.

ENVIRONMENTAL

OPERATING TEMPERATURE: 0°C TO 70°C
 STORAGE TEMPERATURE: -40°C TO +85°C

MATERIAL

HOUSING: GLASS FILLED POLYESTER, UL94V-0
 TERMINALS: PHOSPHOR BRONZE, 0.35t
 PLATING: CONTACT AREA - SELECTIVE GOLD PLATING OVER NICKEL OVER TIN
 TERMINATION AREA - 100 μIN. TIN OVER NICKEL

REGULATORY:

UL RECOGNIZED COMPONENT. UL FILE NO. E147880.

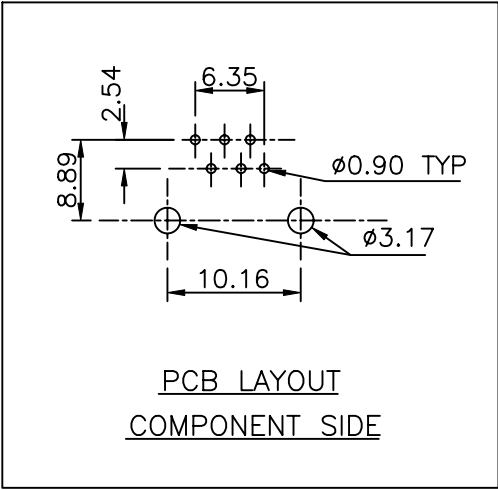
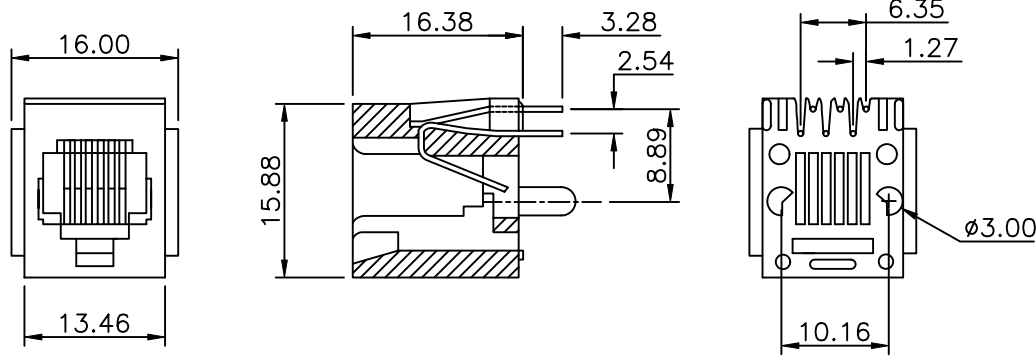
PART NUMBER BUILDER:

MODEL	KEYWAY	CONTACTS	PLATING	COLOR
9607				
BLANK "K" (WITH KEY)				
0 = 6 CONTACTS				
1 = 4 CONTACTS				
2 = 2 CONTACTS				
1. 15 μIN. Au				
2. 30 μIN. Au				
3. 50 μIN. Au				
4. 6 μIN. Au				
5. 3 μIN. Au				
				1. BLUE
				2. RED
				3. BLACK (STD)
				4. BROWN
				5. GREEN
				6. WHITE
				7. GRAY
				8. ORANGE
				9. YELLOW
				10. VIOLET
				11. IVORY/NEUTRAL

A

B

C



DESIGNED:	DATE:	DESCRIPTION OF REVISIONS:	DRAWN:	APPD:
RJT	01/25/01	NEW	RB	JF
GAT	12/12/05	New Index, PN Builder Corr'd, Comp Side Added	KO	JF
JF	12/12/05			

TOLERANCE:	PART NO:	TITLE:
TO 1 DECIMAL PLACE: ±.3	9607-XX-X	MODULAR JACK
TO 2 DECIMAL PLACES: ±.15		