

1	2	3	4	5
COMPONENT SPECIFICATION	USE OR REPRODUCTION OF THIS DRAWING FOR THE PURPOSE OF MANUFACTURING THIS ARTICLE OR ANY ARTICLES SHOWN FOR ANY PURPOSE IS STRICTLY PROHIBITED WITHOUT WRITTEN PERMISSION FROM SENIOR INDUSTRIES, INC.			

SPECIFICATIONS



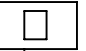
ELECTRICAL:
CONTACT RATING: 1.5A AT 125 VAC
CONTACT RESISTANCE: 30 MILLIOHMS MAX.
INSULATION RESISTANCE: 500 MEGOHMS MIN. AT 500 VDC
DIELECTRIC STRENGTH: 1000 VRMS FOR 1 MINUTE

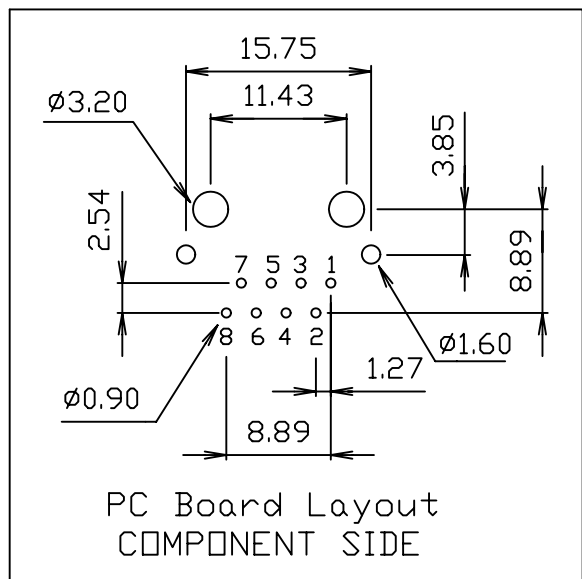
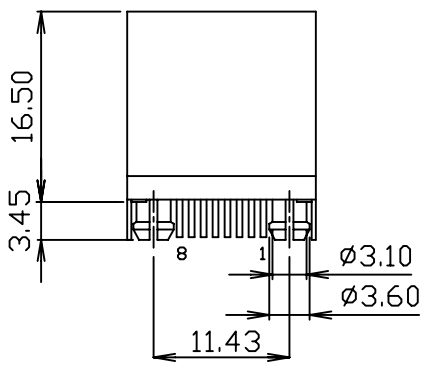
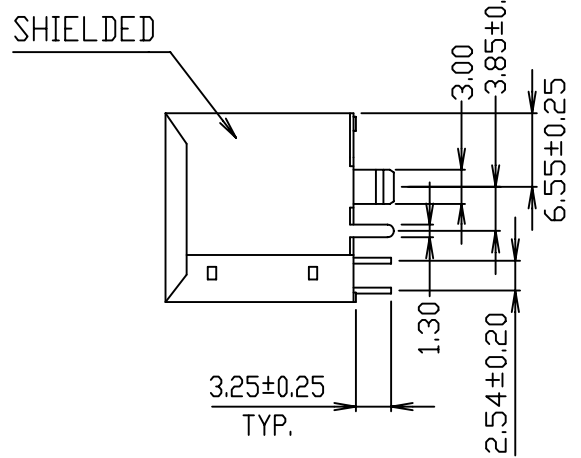
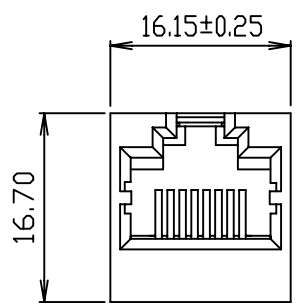
MECHANICAL:
LIFE: 750 CYCLES MIN.

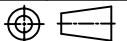
ENVIRONMENTAL:
OPERATING TEMPERATURE: 0°C TO 70°C
STORAGE TEMPERATURE: -40°C TO +85°C
CAVITY CONFORMS TO FCC RULES AND REGULATIONS PART 68, SUBPART F.

MATERIAL:
HOUSING: GLASS FILLED PBT POLYESTER, UL94V-0
CONTACTS/TERMINALS: 0.35mm THICK PHOSPHOR BRONZE
SHIELD: 0.25mm THICK COPPER ALLOY, NICKEL PLATED
PLATING: CONTACT AREA - SELECTIVE GOLD PLATING
TERMINATION AREA - GOLD FLASH

PART NUMBER BUILDER:

MODEL	CONTACTS	PLATING	COLOR
9620R	—	—	—
	 0 = 8 CONTACTS 1 = 6 CONTACTS 2 = 4 CONTACTS	 1. 15 µIN. Au 2. 30 µIN. Au 3. 50 µIN. Au 4. 6 µIN. Au 5. 3 µIN. Au	 1. BLUE 2. RED 3. BLACK (STD) 4. BROWN 5. GREEN 6. WHITE 7. GRAY 8. ORANGE 9. YELLOW 10. VIOLET 11. IVORY/NEUTRAL



DESIGNED:			SYM.	DATE:	DESCRIPTION OF REVISIONS:	DRAWN:	APPD:	TOLERANCE:	PART NO:	9620R-XX-X
DRAWN:	GAT	08/04/08	▲	08.04.08	NEW	GAT	JF			
CHECKED:	GAT	08/04/08	▲	.	.			TO 1 DECIMAL PLACE: ±.25	TITLE:	MODULAR JACK
APPROVED:	JF	08/04/08	▲	.	.			TO 2 DECIMAL PLACES: ±.13	SHEET:	1 OF 1
3RD ANGLE		UNIT:	mm	SCALE:	1.5:1	REV:	A	AS ANGLES:	±1/2°	