

1

2

3

4

5

COMPONENT SPECIFICATION

USE OR REPRODUCTION OF THIS DRAWING FOR THE PURPOSE OF MANUFACTURING THIS ARTICLE OR ANY ARTICLES SHOWN FOR ANY PURPOSE IS STRICTLY PROHIBITED WITHOUT WRITTEN PERMISSION FROM SENIOR INDUSTRIES, INC.

SPECIFICATIONS

ELECTRICAL

CONTACT RATING: 1.5A AT 125 VAC  
 CONTACT RESISTANCE: 30 MILLIOHMS MAX.  
 INSULATION RESISTANCE: 500 MEGOHMS MIN. AT 500 VDC  
 DIELECTRIC STRENGTH: 1000 VRMS FOR 1 MINUTE

MECHANICAL

LIFE: 750 CYCLES MIN.

ENVIRONMENTAL

OPERATING TEMPERATURE: 0°C TO 70°C  
 STORAGE TEMPERATURE: -40°C TO +85°C

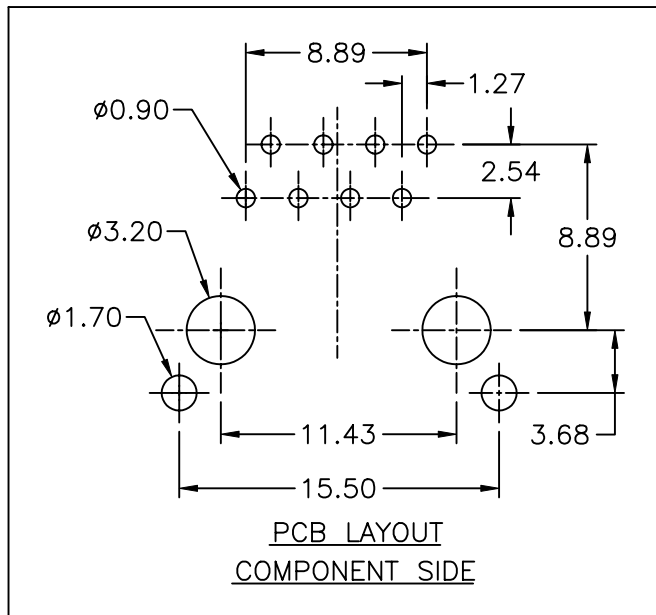
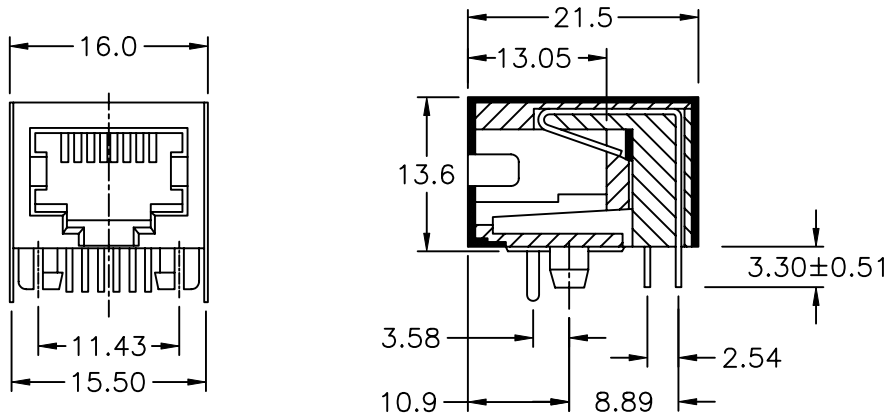
MATERIAL

HOUSING: GLASS FILLED POLYESTER, UL94V-0  
 TERMINALS: PHOSPHOR BRONZE, 0.35t  
 SHIELD: BRASS, TIN PLATING  
 PLATING: CONTACT AREA - SELECTIVE GOLD PLATING OVER NICKEL OVER TIN  
 TERMINATION AREA - 100 μIN TIN OVER NICKEL

UL RECOGNIZED COMPONENT. UL FILE NO. E147880.

PART NUMBER BUILDER:

MODEL	KEYWAY	CONTACTS	PLATING	COLOR
9630R				
BLANK				
"K" (WITH KEY)				
0 = 8 CONTACTS				
1 = 6 CONTACTS				
2 = 4 CONTACTS				
		1. 15 μIN. Au		1. BLUE
		2. 30 μIN. Au		2. RED
		3. 50 μIN. Au		3. BLACK (STD)
		4. 6 μIN. Au		4. BROWN
		5. 3 μIN. Au		5. GREEN
				6. WHITE
				7. GRAY
				8. ORANGE
				9. YELLOW
				10. VIOLET
				11. IVORY/NEUTRAL



DESIGNED:			SYM.	DATE:	DESCRIPTION OF REVISIONS:	DRAWN:	APPD:
DRAWN:	RB	03/09/01	▲	03.09.01	NEW	RB	JF
CHECKED:	GAT	02/02/06	▲	08.11.05	New Index, PN Builder Corrected	KO	JF
APPROVED:	JF	02/02/06	▲				
3RD ANGLE		UNIT:	mm	SCALE:	2:1	REV:	B

TOLERANCE:	PART NO:	9630R-XX-X
TO 1 DECIMAL PLACE: ±.3	TITLE:	MODULAR JACK
TO 2 DECIMAL PLACES: ±.15	SHEET:	1 OF 1
AS ANGLES: ±1/2°		