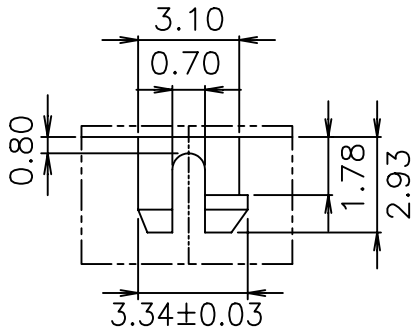
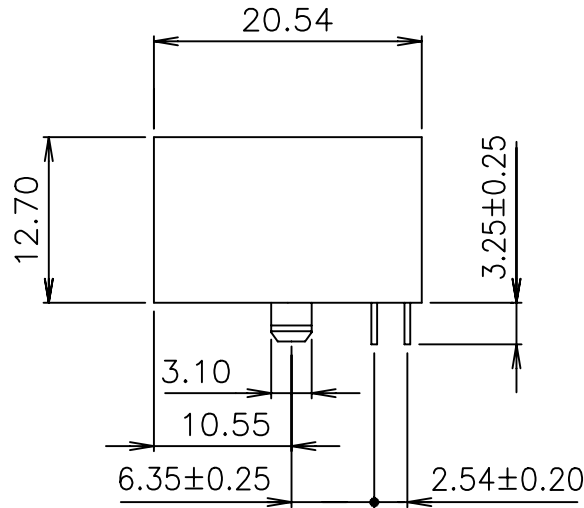
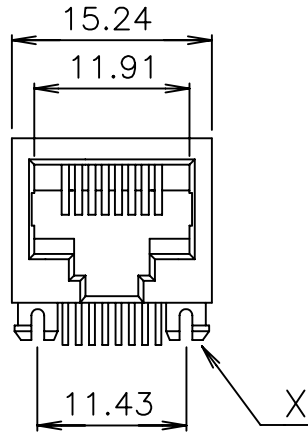
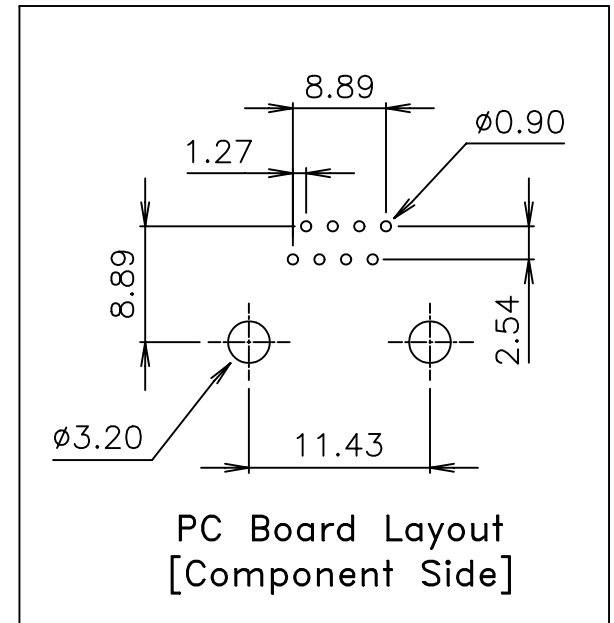
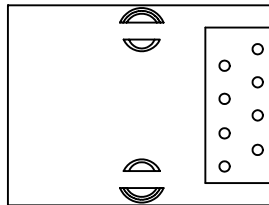


COMPONENT SPECIFICATION

USE OR REPRODUCTION OF THIS DRAWING FOR THE PURPOSE OF MANUFACTURING THIS ARTICLE OR ANY ARTICLES SHOWN FOR ANY PURPOSE IS STRICTLY PROHIBITED WITHOUT WRITTEN PERMISSION FROM SENIOR INDUSTRIES, INC.



DETAIL X



PC Board Layout  
[Component Side]

RoHS COMPLIANT



**SENIOR INDUSTRIES, INC.**

DESIGNED:			SYM.	DATE:	DESCRIPTION OF REVISIONS:	DRAWN:	APPD:	TOLERANCE:	PART NO:	9638NP-XX-X
DRAWN:	GAT	02/21/05	▲	02.21.05	NEW	GAT	JF			
CHECKED:	GAT	05/12/06	▲	02.03.06	PN Builder:updated nr of contacts; Lead rem'd	GAT	JF	TO 2 DECIMAL PLACES: ±.13	SHEET:	1 OF 2
APPROVED:	JF	05/12/06	▲	05.12.06	'RoHS Compliant' Note added	GAT	JF			
3RD ANGLE		UNIT:	mm	SCALE:	1:1	REV:	C			

1

2

3

4

5

COMPONENT SPECIFICATION

USE OR REPRODUCTION OF THIS DRAWING FOR THE PURPOSE OF MANUFACTURING THIS ARTICLE OR ANY ARTICLES SHOWN FOR ANY PURPOSE IS STRICTLY PROHIBITED WITHOUT WRITTEN PERMISSION FROM SENIOR INDUSTRIES, INC.

SPECIFICATIONS

ELECTRICAL:

CONTACT RATING: 1.5A AT 125 VAC  
CONTACT RESISTANCE: 30 MILLIOHMS MAX.  
INSULATION RESISTANCE: 500 MEGOHMS MIN. AT 500 VDC  
DIELECTRIC STRENGTH: 1000 VRMS FOR 1 MINUTE

MECHANICAL:

LIFE: 750 CYCLES MIN.

ENVIRONMENTAL:

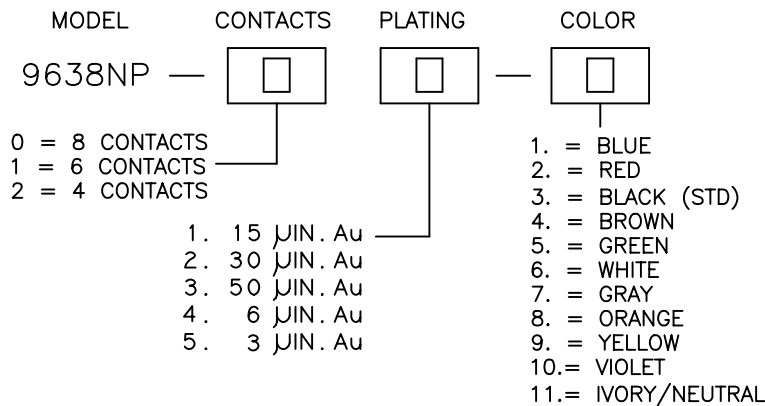
OPERATING TEMPERATURE: 0°C TO 70°C  
STORAGE TEMPERATURE: -40°C TO +85°C

MATERIAL:

HOUSING - PBT POLYESTER UL94V-0, W/GLASS.  
CONTACTS - 0.35mm THICK PHOS-BRONZE PLATED WITH GOLD AND TIN IN SOLDER AREA.

CAVITY CONFORMS TO FCC RULES AND REGULATIONS PART 68, SUBPART F.

PART NUMBER BUILDER:



RoHS COMPLIANT



**SENIOR INDUSTRIES, INC.**

DESIGNED:			SYM.	DATE:	DESCRIPTION OF REVISIONS:	DRAWN:	APPD:	TOLERANCE:	PART NO:	9638NP-XX-X
DRAWN:	GAT	02/21/05	▲	02.21.05	NEW	GAT	JF	TO 1 DECIMAL PLACE: ±	TITLE:	MODULAR JACK
CHECKED:	GAT	05/12/06	▲	02.03.06	PN Builder: updated nr of contacts; Lead rem'd	GAT	JF			
APPROVED:	JF	05/12/06	▲	05.12.06	'RoHS Compliant' Note added	GAT	JF	AS ANGLES: ±	SHEET:	2 OF 2
3RD ANGLE		UNIT:	mm	SCALE:	REV:	C				