

COMPONENT SPECIFICATION

USE OR REPRODUCTION OF THIS DRAWING FOR THE PURPOSE OF MANUFACTURING THIS ARTICLE OR ANY ARTICLES SHOWN FOR ANY PURPOSE IS STRICTLY PROHIBITED WITHOUT WRITTEN PERMISSION FROM SENIOR INDUSTRIES, INC.

SPECIFICATIONS

ELECTRICAL:

CONTACT RATING: 1.5A AT 125 VAC
 CONTACT RESISTANCE: 30 MILLIOHMS MAX.
 INSULATION RESISTANCE: 500 MEGOHMS MIN. AT 500 VDC
 DIELECTRIC STRENGTH: 1000 VRMS FOR 1 MINUTE

MECHANICAL:

LIFE: 750 CYCLES MIN.

ENVIRONMENTAL:

OPERATING TEMPERATURE: 0°C TO 70°C
 STORAGE TEMPERATURE: -40°C TO +85°C
 CAVITY CONFORMS TO FCC RULES AND REGULATIONS PART 68, SUBPART F.

MATERIAL:

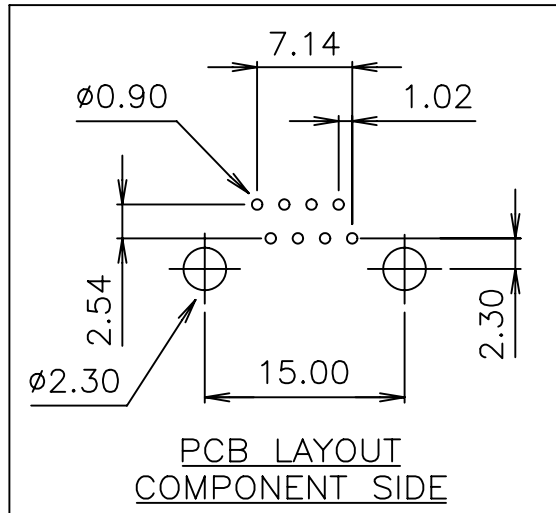
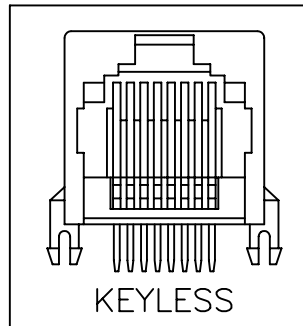
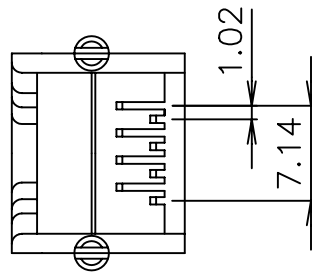
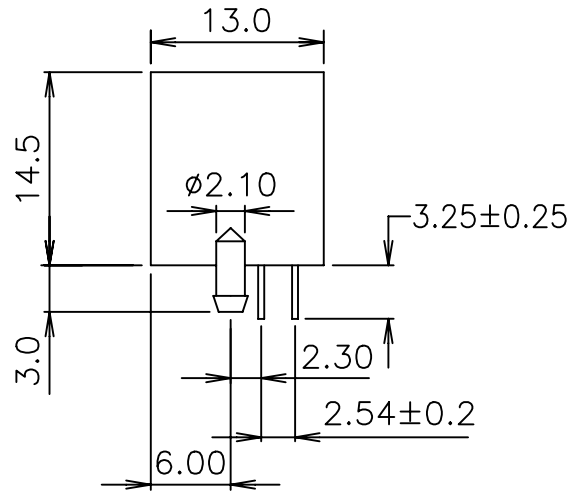
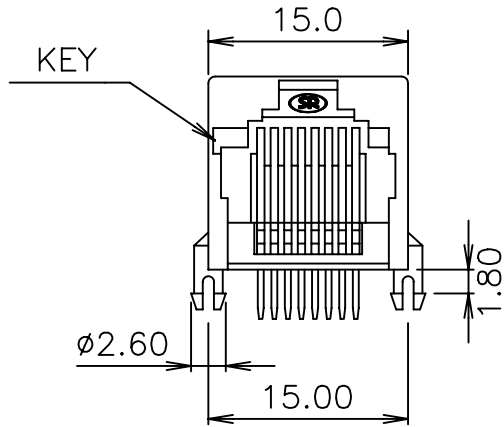
HOUSING: GLASS FILLED PBT POLYESTER, UL94V-0
 TERMINALS: PHOSPHOR BRONZE, 0.45t
 PLATING: CONTACT AREA - SELECTIVE GOLD PLATING OVER NICKEL OVER TIN
 TERMINATION AREA -100 μIN. TIN OVER NICKEL

REGULATORY:

UL RECOGNIZED COMPONENT. UL FILE NO. E147880.

PART NUMBER BUILDER:

MODEL	KEYWAY	CONTACTS	PLATING	COLOR
9640				
BLANK "K" (WITH KEY)				
0 = 8 CONTACTS 1 = 6 CONTACTS 2 = 4 CONTACTS				1. BLUE 2. RED 3. BLACK (STD) 4. BROWN 5. GREEN 6. WHITE 7. GRAY 8. ORANGE 9. YELLOW 10. VIOLET 11. IVORY/NEUTRAL



SENIOR INDUSTRIES, INC.

DESIGNED:			SYM.	DATE:	DESCRIPTION OF REVISIONS:	DRAWN:	APPD:	TOLERANCE:	PART NO:	9640-XX-X
DRAWN:	HV	09/26/97	▲	10.23.97	NEW	TF	JF	TO 1 DECIMAL PLACE: ±.3	TITLE:	MODULAR JACK
CHECKED:	GAT	01/05/07	▲	02.12.99	Added Logo	TF	JF			
APPROVED:	JF	01/05/07	▲	03.27.00	Updated Specifications	RB	JF	AS ANGLES: ±1/2°	SHEET:	1 OF 1
			▲	07.21.05	New Index, PN Builder Corrected, Lead remv'd	KO	JF			
			▲	01.05.07	General spec updated: views, keyway	GAT	JF			
3RD ANGLE			UNIT:	mm	SCALE:	1:1	REV:	E		