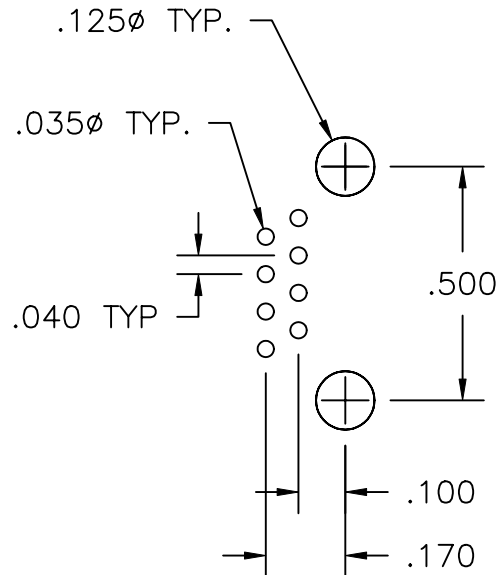
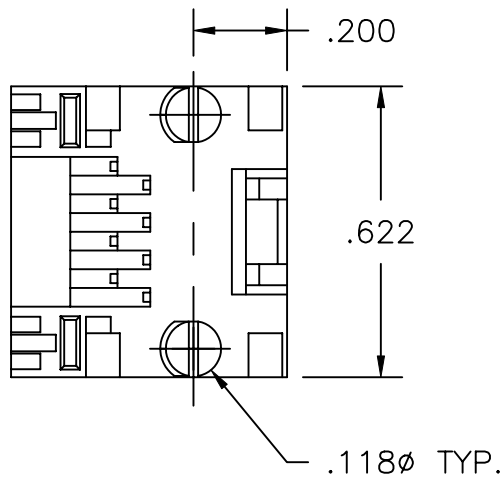
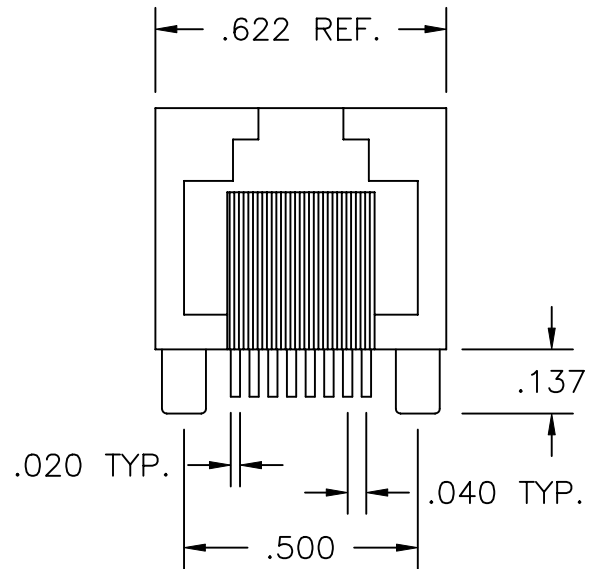
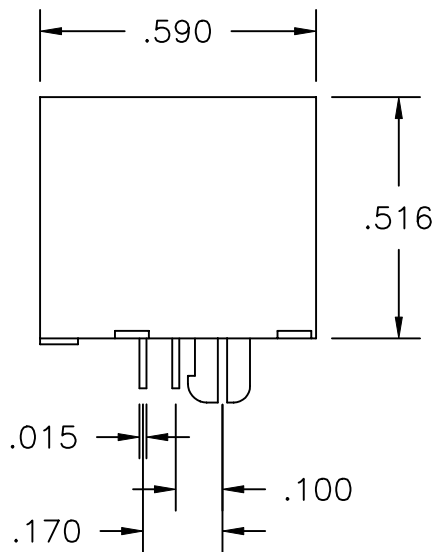


1

2

3

4

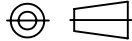
COMPONENT
SPECIFICATIONUSE OR REPRODUCTION OF THIS DRAWING FOR THE PURPOSE OF MANUFACTURING THIS
ARTICLE OR ANY ARTICLES SHOWN FOR ANY PURPOSE IS STRICTLY PROHIBITED WITHOUT
WRITTEN PERMISSION FROM SENIOR INDUSTRIES, INC.

PCB LAYOUT (TOP VIEW)

RoHS COMPLIANT

DESIGNED:			SYM.	DATE	DESCRIPTION OF REVISIONS	DRAWN	APPD.
DRAWN:	HV	03/06/00	△	03.31.00	UPDATED SPECIFICATIONS ON PAGE 2	RB	JF
CHECKED:	GAT	01/11/07	△	10.06.04	New index, PN 9645-XX-X replaced by 9645T-XX-X	GAT	TF
APPROVED:	JF	01/11/07	△	07.26.05	'Lead' rem'd from term. plating area, PN builder corr	KO	JF
			△	01.11.07	'RoHS compliant' note added	GAT	JF

3RD ANGLE



UNIT:

IN

SCALE:

2:1

REV.

F


**SENIOR
INDUSTRIES, INC.**

TOLERANCE:

TO 2 DECIMAL PLACE: ± .010

TO 3 DECIMAL PLACES: ± .005

AS ANGLES: ±1/2°

SHEET:

PART NO:

9645T-XX-X

TITLE:

MODULAR JACK

1 OF 2

COMPONENT SPECIFICATION

USE OR REPRODUCTION OF THIS DRAWING FOR THE PURPOSE OF MANUFACTURING THIS ARTICLE OR ANY ARTICLES SHOWN FOR ANY PURPOSE IS STRICTLY PROHIBITED WITHOUT WRITTEN PERMISSION FROM SENIOR INDUSTRIES, INC.

SPECIFICATIONS

ELECTRICAL

CONTACT RATING: 1.5A AT 125 VAC
 CONTACT RESISTANCE: 30 MILLIOHMS MAX.
 INSULATION RESISTANCE: 500 MEGOHMS MIN. AT 500 VDC
 DIELECTRIC STRENGTH: 1000 VRMS FOR 1 MINUTE

MECHANICAL

LIFE: 750 CYCLES MIN.

ENVIRONMENTAL

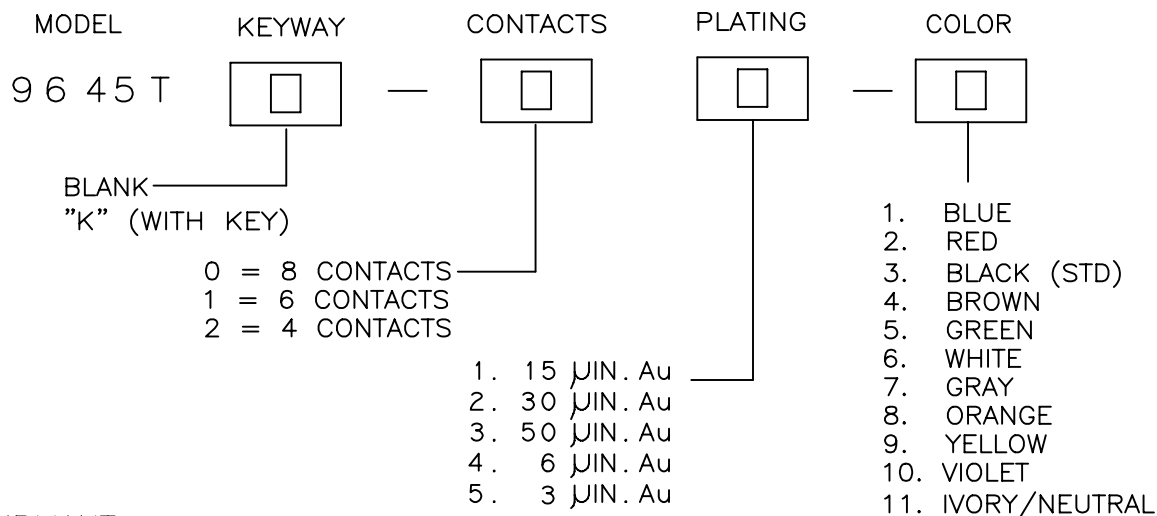
OPERATING TEMPERATURE: 0°C TO 70°C
 STORAGE TEMPERATURE: -40°C TO +85°C

MATERIAL:

HOUSING: GLASS FILLED POLYESTER, UL94V-0
 TERMINALS: PHOSPHOR BRONZE, 0.35t
 PLATING: CONTACT AREA - SELECTIVE GOLD PLATING OVER NICKEL OVER TIN

TERMINATION AREA - 100 μIN TIN OVER NICKEL

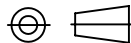
PART NUMBER BUILDER:



RoHS COMPLIANT

DESIGNED:			SYM.	DATE	DESCRIPTION OF REVISIONS	DRAWN	APPD.
DRAWN:	HV	03/06/00		03.31.00	Updated Specifications on page 2	RB	JF
CHECKED:	GAT	01/11/07		10.06.04	New index, PN 9645-XX-X replaced by 9645T-XX-X	GAT	TF
APPROVED:	JF	01/11/07		07.26.05	'Lead' rem'd from term. plating area, PN builder corr	KO	JF
				01.11.07	'RoHS compliant' note added	GAT	JF

3RD ANGLE



UNIT:

IN

SCALE:

REV.

F



SENIOR INDUSTRIES, INC.

TOLERANCE:

TO 2 DECIMAL PLACE: ±

TO 3 DECIMAL PLACES: ±

AS ANGLES: ±

SHEET:

PART NO:

9645T-XX-X

TITLE:

MODULAR JACK

2 OF 2