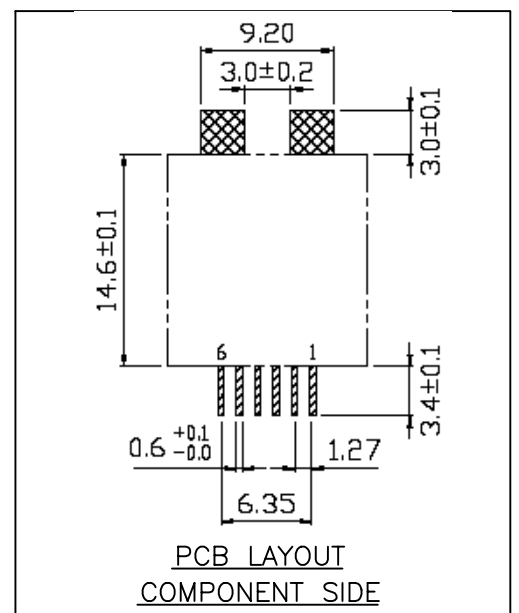
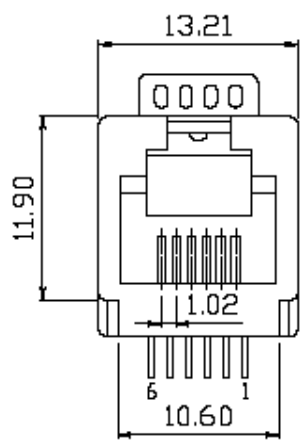
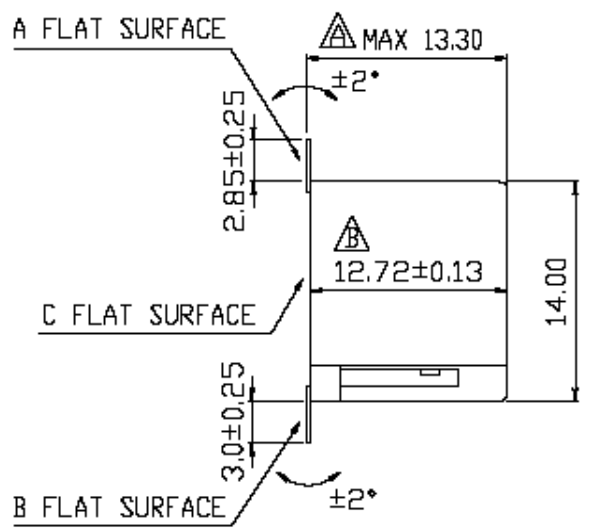
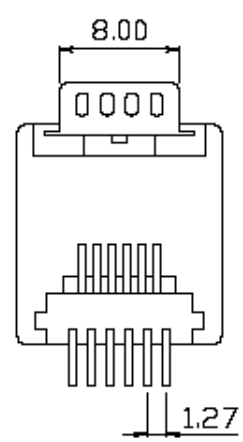


1	2	3	4	5
<b>COMPONENT SPECIFICATION</b>	USE OR REPRODUCTION OF THIS DRAWING FOR THE PURPOSE OF MANUFACTURING THIS ARTICLE OR ANY ARTICLES SHOWN FOR ANY PURPOSE IS STRICTLY PROHIBITED WITHOUT WRITTEN PERMISSION FROM SENIOR INDUSTRIES, INC.		<b>SPECIFICATIONS:</b>	



**NOTE:**  
 1. A AND B HIGHEST POINT MUST BE OVER C FLAT SURFACE.  
 2. THE MAXIMUM DISTANCE (0.15mm) BETWEEN LOWEST AND HIGHEST ON A AND B FLAT SURFACE.

**SPECIFICATIONS:**

**ELECTRICAL:**  
 CONTACT RATING: 1.5A AT 125 VAC  
 CONTACT RESISTANCE: 30 MILLIOHMS MAX.  
 INSULATION RESISTANCE: 500 MEGOHMS MIN. AT 500 VDC  
 DIELECTRIC STRENGTH: 1000 VRMS FOR 1 MINUTE

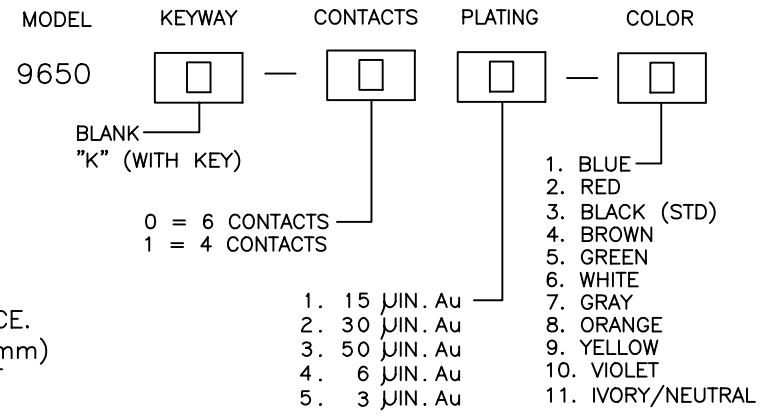
**MECHANICAL:**  
 LIFE: 750 CYCLES MIN.

**ENVIRONMENTAL:**  
 OPERATING TEMPERATURE: 0°C TO 70°C  
 STORAGE TEMPERATURE: -40°C TO +85°C

**MATERIAL:**  
 HOUSING: DSM STANYL TE250F6 (NYLON-46)  
 HEAT DEFLECTION TEMP. 290°  
 BLACK COLOR, UL 94V-0  
 TERMINAL: 0.35mm, THICK PHOS-BRONZE  
 PLATED WITH HARD GOLD AND TIN IN SOLDER AREA.  
 HOLD DOWN-0.35mm THICK COPPER ALLOY,  
 PLATED WITH TIN.  
 CAVITY CONFORMS TO FCC RULES AND REGULATIONS  
 PART 68, SUBPART F.

**REGULATORY:**  
 UL RECOGNIZED COMPONENT. UL FILE NO. E147880.

**PART NUMBER BUILDER:**



DESIGNED:		SYM.	DATE:	DESCRIPTION OF REVISIONS:	DRAWN:	APPD:	TOLERANCE:	PART NO:	9650-XX-X
DRAWN:	GAT 08/04/06	▲	11.08.00	NEW	RB	JF	TO 1 DECIMAL PLACE: ±.25 TO 2 DECIMAL PLACES: ±.13	TITLE:	MODULAR JACK
CHECKED:	GAT 08/21/06	▲	07.20.05	New Index, PN Builder Corrected, UL rating	GAT	JF		AS ANGLES:	±1/2°
APPROVED:	JF 08/21/06	▲	08.04.06	General spec updated	GAT	JF	SHEET:	1 OF 1	
<b>3RD ANGLE</b>		UNIT:	mm	SCALE:	2:1	REV:	C		