

1

2

3

4

5

COMPONENT SPECIFICATION

USE OR REPRODUCTION OF THIS DRAWING FOR THE PURPOSE OF MANUFACTURING THIS ARTICLE OR ANY ARTICLES SHOWN FOR ANY PURPOSE IS STRICTLY PROHIBITED WITHOUT WRITTEN PERMISSION FROM SENIOR INDUSTRIES, INC.

SPECIFICATIONS

ELECTRICAL:

CONTACT RATING: 1.5A AT 125 VAC
CONTACT RESISTANCE: 30 MILLIOHMS MAX.
INSULATION RESISTANCE: 500 MEGOHMS MIN. AT 500 VDC
DIELECTRIC STRENGTH: 1000 VRMS FOR 1 MINUTE

MECHANICAL:

LIFE: 750 CYCLES MIN.

ENVIRONMENTAL:

OPERATING TEMPERATURE: 0°C TO +70°C
STORAGE TEMPERATURE: -40°C TO +85°C

MATERIAL:

HOUSING: GLASS FILLED POLYESTER, UL94V-0
TERMINALS: PHOSPHOR BRONZE, 0.35t
PLATING: CONTACT AREA - SELECTIVE GOLD PLATING OVER NICKEL OVER TIN
TERMINATION AREA - 100 µJIN TIN OVER NICKEL

PART NUMBER BUILDER:

Table with columns: MODEL, CONTACTS, PLATING, COLOR. Includes a legend for contact counts (0=6, 1=4, 2=2) and a list of 11 colors.

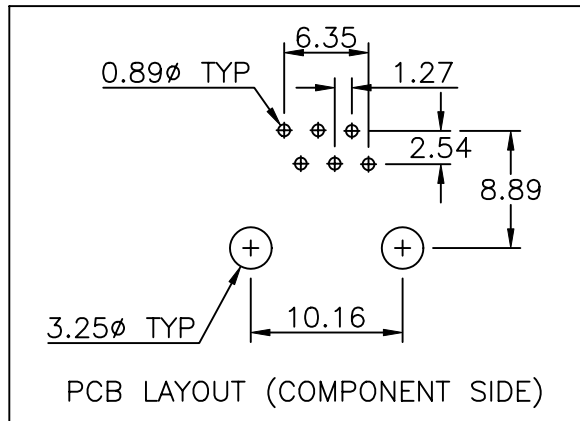
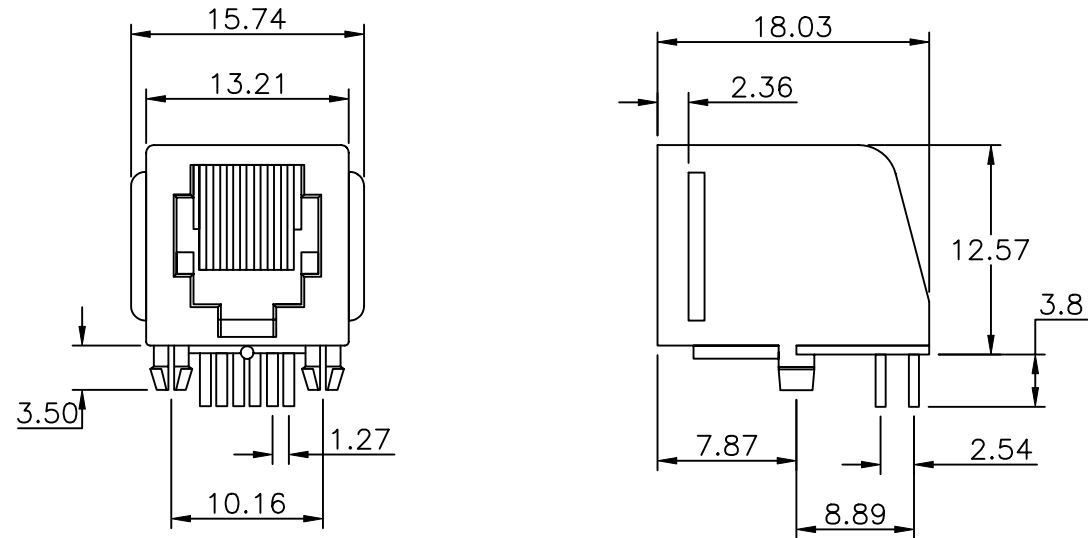


Table with columns: DESIGNED, DRAWN, CHECKED, APPROVED, SYM., DATE, DESCRIPTION OF REVISIONS, DRAWN, APPD, 3RD ANGLE, UNIT, mm, SCALE, 2:1, REV, B.

Table with columns: TOLERANCE, PART NO., TITLE, SHEET, 1 OF 1. Includes values like ±.3, ±.15, 9652-XX-X, MODULAR JACK, and ±1/2'.