

1

2

3

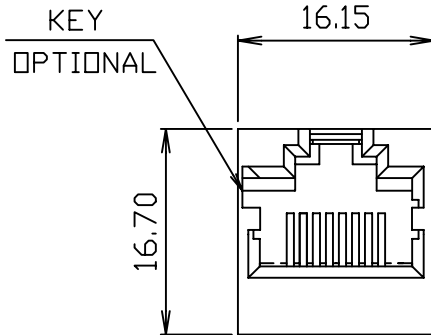
4

5

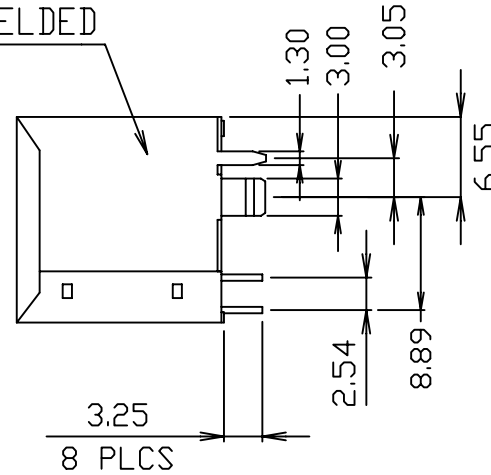
COMPONENT SPECIFICATION

USE OR REPRODUCTION OF THIS DRAWING FOR THE PURPOSE OF MANUFACTURING THIS ARTICLE OR ANY ARTICLES SHOWN FOR ANY PURPOSE IS STRICTLY PROHIBITED WITHOUT WRITTEN PERMISSION FROM SENIOR INDUSTRIES, INC.

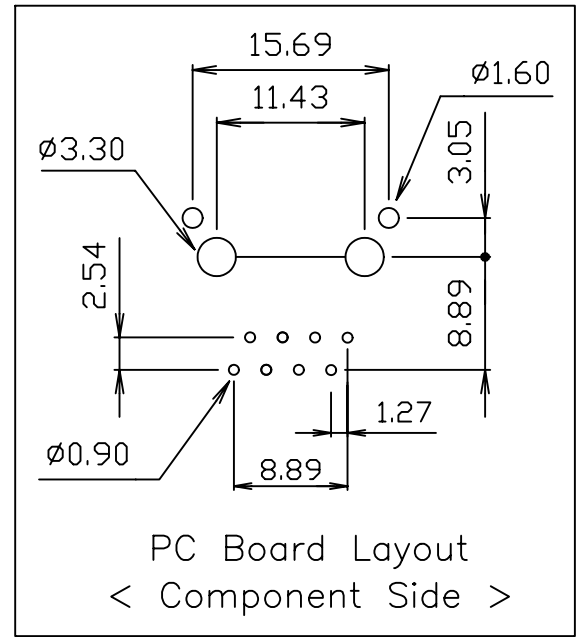
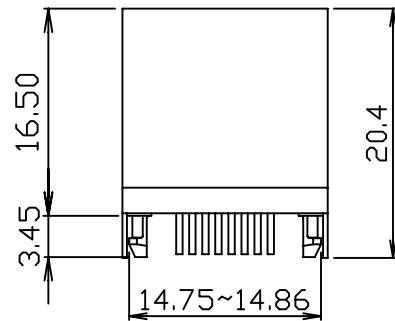
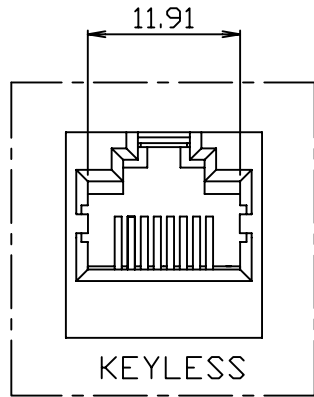
A



SHIELDED



B



C



SENIOR INDUSTRIES, INC.

DESIGNED:			SYM.	DATE:	DESCRIPTION OF REVISIONS:	DRAWN:	APPD:
DRAWN:	GAT	02/07/05	▲	02.07.05	NEW	GAT	JF
CHECKED:	GAT	02/14/06	▲	03.18.05	Chged mounting hole ϕ on PCB to 3.30mm	GAT	JF
APPROVED:	JF	02/14/06	▲	03.24.05	Corrected mounting posts	GAT	JF
			▲	08.15.05	Removed 'lead' from contacts and shield	KO	JF

TOLERANCE:	
TO 1 DECIMAL PLACE:	$\pm .25$
TO 2 DECIMAL PLACES:	$\pm .13$
AS ANGLES:	$\pm 1/2^\circ$

PART NO:	9663R-XX-X
TITLE:	MODULAR JACK
SHEET:	1 OF 2

3RD ANGLE		UNIT:	mm	SCALE:	1:1	REV:	D
-----------	--	-------	----	--------	-----	------	---

1

2

3

4

5

COMPONENT SPECIFICATION

USE OR REPRODUCTION OF THIS DRAWING FOR THE PURPOSE OF MANUFACTURING THIS ARTICLE OR ANY ARTICLES SHOWN FOR ANY PURPOSE IS STRICTLY PROHIBITED WITHOUT WRITTEN PERMISSION FROM SENIOR INDUSTRIES, INC.

SPECIFICATIONS

ELECTRICAL:

CONTACT RATING: 1.5A AT 125 VAC
CONTACT RESISTANCE: 30 MILLIOHMS MAX.
INSULATION RESISTANCE: 500 MEGOHMS MIN. AT 500 VDC
DIELECTRIC STRENGTH: 1000 VRMS FOR 1 MINUTE

MECHANICAL:

LIFE: 750 CYCLES MIN.

ENVIRONMENTAL:

OPERATING TEMPERATURE: 0°C TO 70°C
STORAGE TEMPERATURE: -40°C TO +85°C
CAVITY CONFORMS TO FCC RULES AND REGULATIONS PART 68, SUBPART F.

MATERIAL:

HOUSING: PBT POLYESTER UL94V-0
MIXED GLASS FIBER, STANDARD COLOR - BLACK
CONTACTS: 0.35mm THICK PHOS-BRONZE, PLATED WITH GOLD AND TIN IN SOLDER AREA.
SHIELD: 0.25mm THICK COPPER ALLOY, PLATED WITH TIN.

REGULATORY:

UL RECOGNIZED COMPONENT. UL FILE NO. E147880.

PART NUMBER BUILDER:

Table with columns: MODEL, KEYWAY, CONTACTS, PLATING, COLOR. Includes options for 9663R, blank key, contact counts (0=8, 1=6, 2=4), plating thicknesses (1. 15 μIN. Au to 5. 3 μIN. Au), and color list (1. BLUE to 11. IVORY/NEUTRAL).



SENIOR INDUSTRIES, INC.

Bottom table containing revision history (DESIGNED, DRAWN, CHECKED, APPROVED), tolerances (TO 1 DECIMAL PLACE, TO 2 DECIMAL PLACES), part number (9663R-XX-X), title (MODULAR JACK), sheet number (2 OF 2), and other technical details like 3RD ANGLE, UNIT (mm), SCALE, REV, and D.