

COMPONENT SPECIFICATION

USE OR REPRODUCTION OF THIS DRAWING FOR THE PURPOSE OF MANUFACTURING THIS ARTICLE OR ANY ARTICLES SHOWN FOR ANY PURPOSE IS STRICTLY PROHIBITED WITHOUT WRITTEN PERMISSION FROM SENIOR INDUSTRIES, INC.

SPECIFICATIONS

ELECTRICAL:

CONTACT RATING: 1.5A @ 125 VAC  
 CONTACT RESISTANCE: 30 MILLIOHMS MAX.  
 INSULATION RESISTANCE: 1000 MEGOHMS MIN. @ 500 VDC  
 DIELECTRIC STRENGTH: 1000 VRMS FOR 1 MINUTE  
 LED RATINGS: FORWARD VOLTAGE: 2.2 VOLTS TYPICAL  
 REVERSE VOLTAGE: 5 VOLTS MINIMUM

MECHANICAL:

LIFE: 750 CYCLES MIN.

ENVIRONMENTAL:

OPERATING TEMPERATURE: 0°C TO +70°C  
 STORAGE TEMPERATURE: -40°C TO +85°C  
 CAVITY CONFORMS TO FCC RULES AND REGULATIONS PART 68, SUBPART F.

MATERIAL:

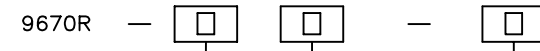
HOUSING: NYLON-46, HEAT DEFLECTION TEMP. 290°, BLACK COLOR, UL94V-0  
 INSERT: GLASS FILLED POLYESTER, UL94V-0  
 LENS: PC, UL94V-0, CLEAR  
 SHIELD: 0.25mm THICK COPPER ALLOY, NICKEL PLATED  
 TERMINALS: 0.35mm THICK PHOSPHOR BRONZE  
 PLATING: CONTACT AREA - SELECTIVE GOLD PLATING OVER NICKEL  
 TERMINATION AREA - GOLD FLASH PLATING

REGULATORY:

UL RECOGNIZED COMPONENT. UL FILE NO. E147880.

PART NUMBER BUILDER:

MODEL CONTACTS PLATING LED COLOR

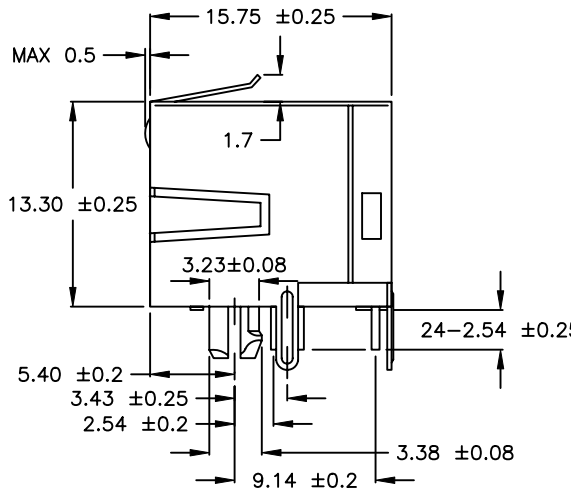
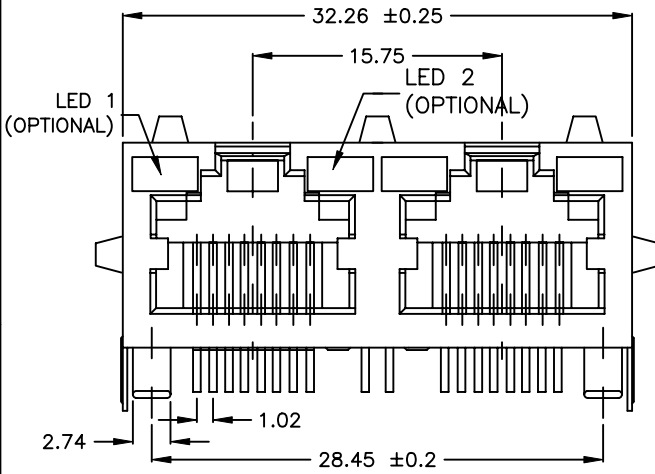


0 = 8 CONTACTS  
 1 = 6 CONTACTS  
 2 = 4 CONTACTS

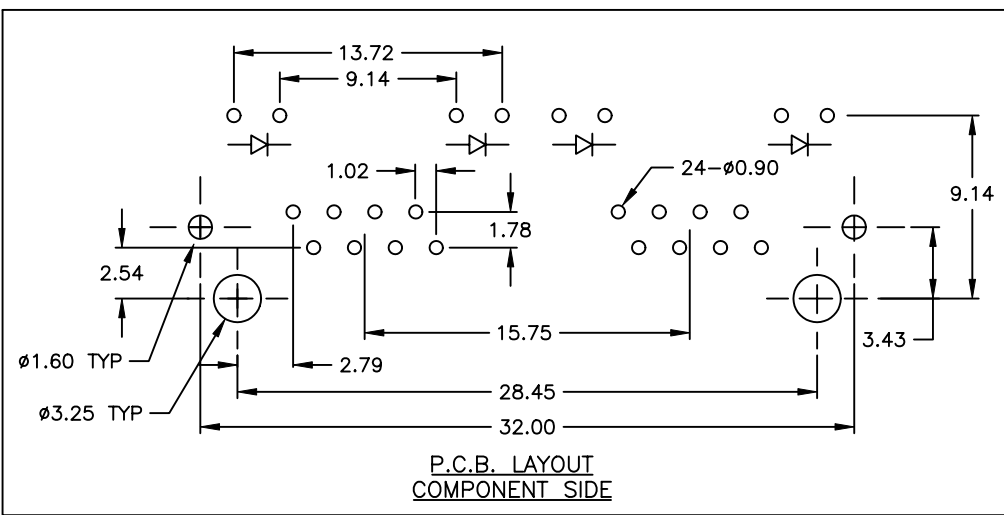
1. 15 JIN. Au  
 2. 30 JIN. Au  
 3. 50 JIN. Au  
 4. 6 JIN. Au  
 5. 3 JIN. Au

BLANK - NO LED  
 1 - LED1 = GREEN,  
 LED2 = YELLOW  
 2 - LED1 = YELLOW,  
 LED2 = GREEN  
 3 - LED 1 = GREEN  
 4 - LED 2 = YELLOW  
 5 - LED 1 = YELLOW  
 6 - LED 2 = GREEN

A



B



C

RoHS COMPLIANT



SENIOR INDUSTRIES, INC.

DESIGNED:		SYM.	DATE:	DESCRIPTION OF REVISIONS:	DRAWN:	APPD:	
DRAWN:	GAT 02/15/06	▲	02.15.06	New index, PN corr, Lead rem'd, CompSide added	GAT	JF	
CHECKED:	GAT 02/19/07	▲	02.19.07	General viwes/spec updated	GAT	JF	
APPROVED:	JF 02/19/07	▲					
3RD ANGLE		UNIT:	mm	SCALE:	4:1	REV:	D

TOLERANCE:	PART NO:	9670R-XX-X
TO 1 DECIMAL PLACE: ±.25	TITLE:	MODULAR JACK
TO 2 DECIMAL PLACES: ±.13	SHEET:	1 OF 1
AS ANGLES: ±1/2°		