

COMPONENT SPECIFICATION

USE OR REPRODUCTION OF THIS DRAWING FOR THE PURPOSE OF MANUFACTURING THIS ARTICLE OR ANY ARTICLES SHOWN FOR ANY PURPOSE IS STRICTLY PROHIBITED WITHOUT WRITTEN PERMISSION FROM SENIOR INDUSTRIES, INC.

SPECIFICATIONS

ELECTRICAL:

CONTACT RATING: 1.5A AT 125 VAC
 CONTACT RESISTANCE: 30 MILLIOHMS MAX.
 INSULATION RESISTANCE: 500 MEGOHMS MIN. AT 500 VDC
 DIELECTRIC STRENGTH: 1000 VRMS FOR 1 MINUTE

MECHANICAL:

LIFE: 750 CYCLES MIN.

ENVIRONMENTAL:

OPERATING TEMPERATURE: 0°C TO 70°C
 STORAGE TEMPERATURE: -40°C TO +85°C
 CAVITY CONFORMS TO FCC RULES AND REGULATIONS PART 68, SUBPART F.

MATERIAL:

HOUSING: GLASS FILLED PBT POLYESTER, UL94V-0
 CONTACTS/TERMINALS: 0.35mm THICK PHOSPHOR BRONZE
 SHIELD: 0.25mm THICK COPPER ALLOY, NICKEL PLATED
 PLATING: CONTACT AREA - SELECTIVE GOLD PLATING
 TERMINATION AREA - GOLD FLASH

PART NUMBER BUILDER:

MODEL KEYWAY CONTACTS PLATING COLOR



BLANK
 "k" (WITH KEY)

0 = 8 CONTACTS
 1 = 6 CONTACTS
 2 = 4 CONTACTS

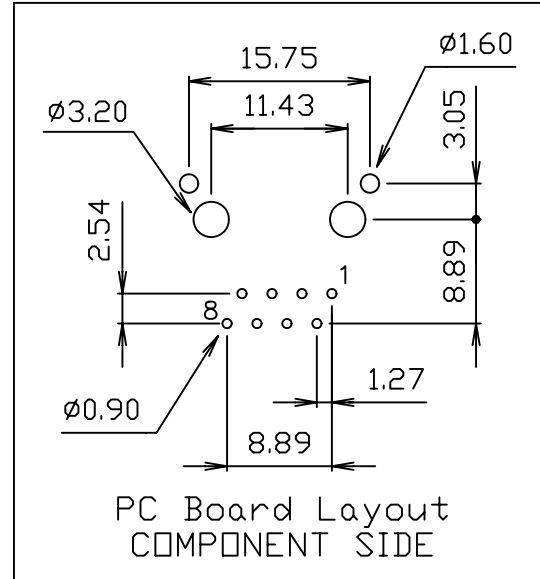
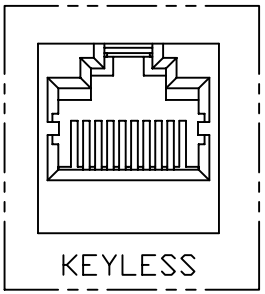
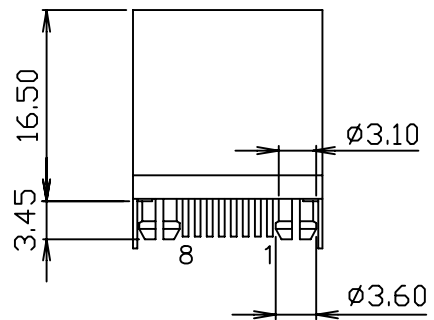
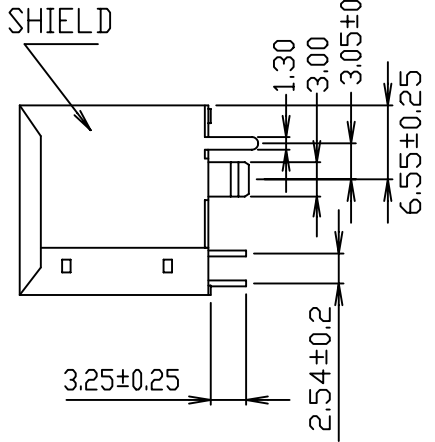
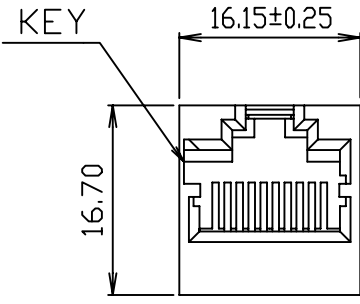
1. 15 µIN. Au
 2. 30 µIN. Au
 3. 50 µIN. Au
 4. 6 µIN. Au
 5. 3 µIN. Au

1. BLUE
 2. RED
 3. BLACK (STD)
 4. BROWN
 5. GREEN
 6. WHITE
 7. GRAY
 8. ORANGE
 9. YELLOW
 10. VIOLET
 11. IVORY/NEUTRAL

A

B

C



SENIOR INDUSTRIES, INC.

DESIGNED:			SYM.	DATE:	DESCRIPTION OF REVISIONS:	DRAWN:	APPD:
DRAWN:	RB	03/08/02	▲	03.08.02	NEW	RB	JF
CHECKED:	GAT	01/10/07	▲	08.16.05	New Index, PN Builder Corr'd, Shield spec added	KO	JF
APPROVED:	JF	01/10/07	▲	01.10.07	General spec updated	GAT	JF
			▲	.			
			▲	.			

TOLERANCE:	PART NO:	9672R-XX-X
TO 1 DECIMAL PLACE: ±.3	TITLE:	MODULAR JACK
TO 2 DECIMAL PLACES: ±.15	SHEET:	1 OF 1
AS ANGLES: ±1/2°		

3RD ANGLE	UNIT: mm	SCALE: 1:1	REV: C
-----------	----------	------------	--------