

COMPONENT SPECIFICATION

USE OR REPRODUCTION OF THIS DRAWING FOR THE PURPOSE OF MANUFACTURING THIS ARTICLE OR ANY ARTICLES SHOWN FOR ANY PURPOSE IS STRICTLY PROHIBITED WITHOUT WRITTEN PERMISSION FROM SENIOR INDUSTRIES, INC.

SPECIFICATIONS

ELECTRICAL:

CONTACT RATING: 1.5A AT 125 VAC  
 CONTACT RESISTANCE: 30 MILLIOHMS MAX.  
 INSULATION RESISTANCE: 500 MEGOHMS MIN. AT 500 VDC  
 DIELECTRIC STRENGTH: 1000 VRMS FOR 1 MINUTE

MECHANICAL:

LIFE: 750 CYCLES MIN.

ENVIRONMENTAL:

PART SHALL WITHSTAND REFLOW SOLDER TEMPERATURE OF 260°C FOR 10 SECONDS.

OPERATING TEMPERATURE: 0°C TO 70°C

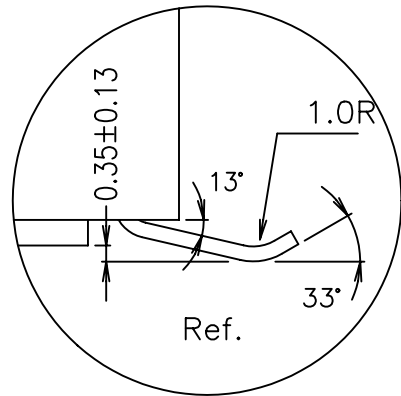
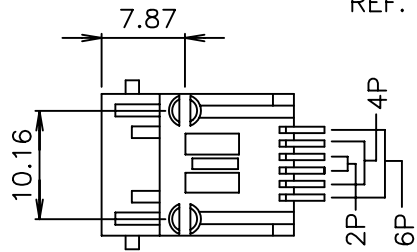
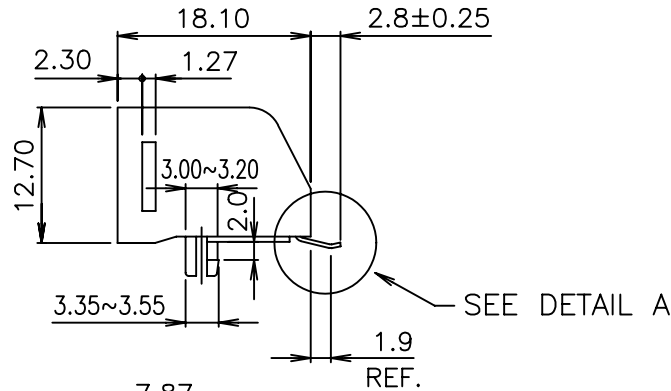
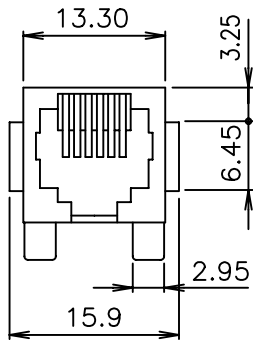
STORAGE TEMPERATURE: -40°C TO +85°C

MATERIAL:

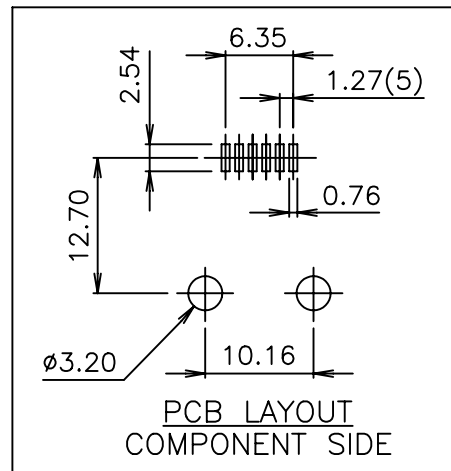
HOUSING: GLASS FILLED POLYESTER, UL94V-0  
 TERMINALS: PHOSPHOR BRONZE, 0.35t  
 PLATING: CONTACT AREA - SELECTIVE GOLD PLATING OVER NICKEL OVER TIN  
 TERMINATION AREA - 100 μIN TIN OVER NICKEL  
 CONFORMS TO FCC RULES AND REGULATIONS PART 68, SUBPART F.

PART NUMBER BUILDER:

MODEL	CONTACTS	PLATING	COLOR
9673	—	□	□
0 = 6 CONTACTS	□	□	1. BLUE
1 = 4 CONTACTS	□	□	2. RED
2 = 2 CONTACTS	□	□	3. BLACK (STD)
			4. BROWN
			5. GREEN
			6. WHITE
			7. GRAY
			8. ORANGE
			9. YELLOW
			10. VIOLET
			11. IVORY/NEUTRAL



DETAIL A



PCB LAYOUT COMPONENT SIDE



SENIOR INDUSTRIES, INC.

DESIGNED:			SYM.	DATE:	DESCRIPTION OF REVISIONS:	DRAWN:	APPD:
DRAWN:	HV	02/19/03	▲	02.19.03	NEW	RB	JF
CHECKED:	GAT	02/16/06	▲	07.27.05	New Index, Solder temp corr to 260°C	KO	JF
APPROVED:	JF	02/16/06	▲				

TOLERANCE:	PART NO:	9673-XX-X
TO 1 DECIMAL PLACE: ±.3	TITLE:	MODULAR JACK
TO 2 DECIMAL PLACES: ±.15	SHEET:	1 OF 1

3RD ANGLE		UNIT: mm	SCALE: 2:1	REV: B
-----------	--	----------	------------	--------

AS ANGLES: ±1/2°
------------------