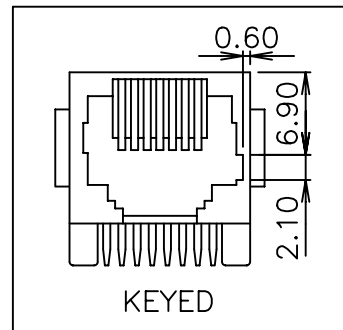
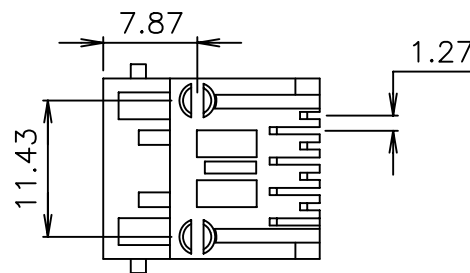
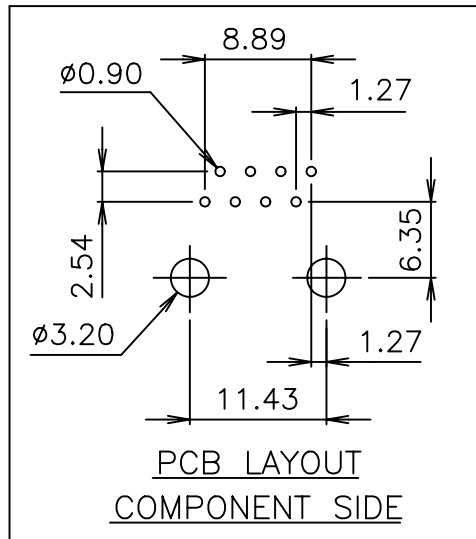
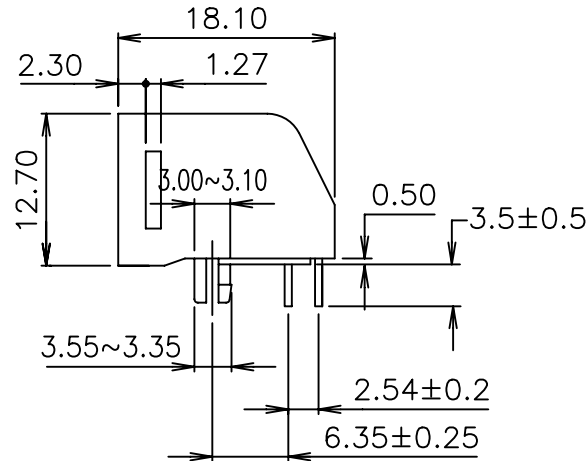
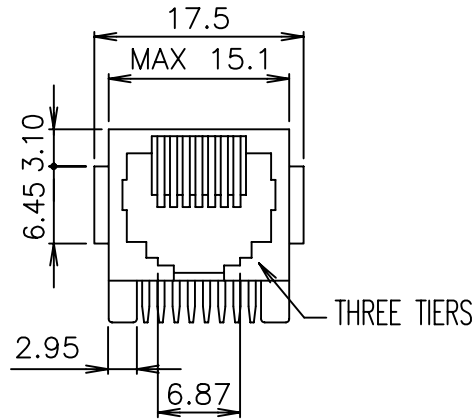


COMPONENT SPECIFICATION

USE OR REPRODUCTION OF THIS DRAWING FOR THE PURPOSE OF MANUFACTURING THIS ARTICLE OR ANY ARTICLES SHOWN FOR ANY PURPOSE IS STRICTLY PROHIBITED WITHOUT WRITTEN PERMISSION FROM SENIOR INDUSTRIES, INC.

SPECIFICATIONS



ELECTRICAL:

CONTACT RATING: 1.5A AT 125 VAC
 CONTACT RESISTANCE: 30 MILLIOHMS MAX.
 INSULATION RESISTANCE: 500 MEGOHMS MIN. AT 500 VDC
 DIELECTRIC STRENGTH: 1000 VRMS FOR 1 MINUTE

MECHANICAL:

LIFE: 750 CYCLES MIN.

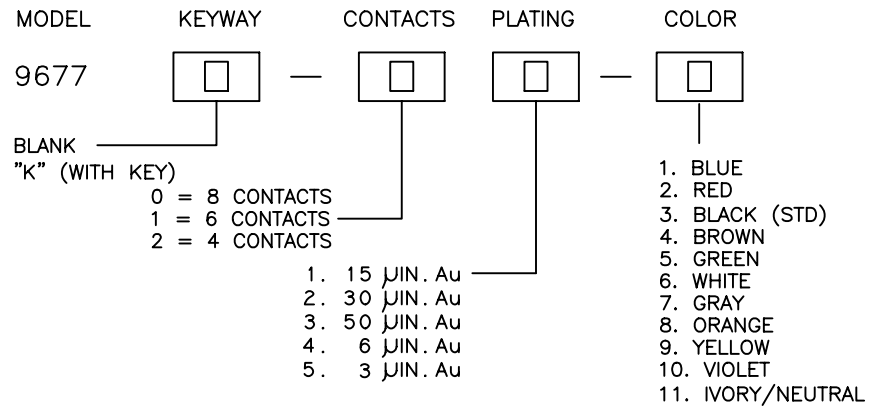
ENVIRONMENTAL:

OPERATING TEMPERATURE: 0°C TO 70°C
 STORAGE TEMPERATURE: -40°C TO +85°C
 CAVITY CONFORMS TO FCC RULES AND REGULATIONS PART 68, SUBPART F.

MATERIAL:

HOUSING: GLASS FILLED PBT POLYESTER, UL94V-0
 TERMINALS: PHOSPHOR BRONZE, 0.35t
 PLATING: CONTACT AREA - SELECTIVE GOLD PLATING OVER NICKEL
 TERMINATION AREA - 100 μIN TIN OVER NICKEL

PART NUMBER BUILDER:



SENIOR INDUSTRIES, INC.

DESIGNED:	DATE:	SYM:	DESCRIPTION OF REVISIONS:	DRAWN:	APPD:
	03.29.02	NEW		RB	TF
DRAWN:	08.12.05	New Index, PN Builder Corrected, Lead rem'd		KO	JF
CHECKED:	01.08.07	General view/spec updated		GAT	JF
APPROVED:	01.08.07				

TOLERANCE:	PART NO:	TITLE:
TO 1 DECIMAL PLACE: ±.25 TO 2 DECIMAL PLACES: ±.13	9677-XX-X	MODULAR JACK
AS ANGLES: ±1/2°	SHEET:	1 OF 1

3RD ANGLE	UNIT: mm	SCALE: 2:1	REV: C
-----------	----------	------------	--------