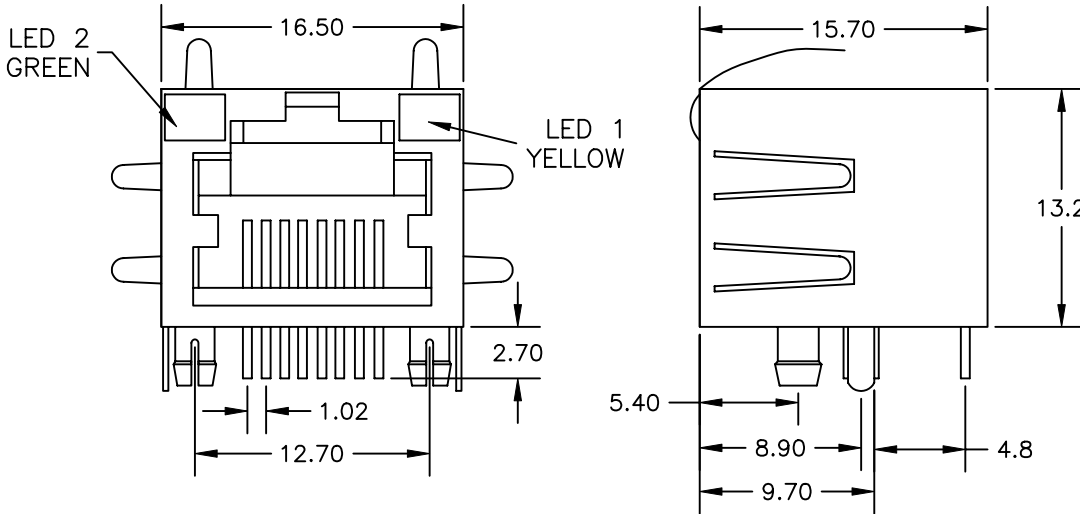


COMPONENT SPECIFICATION

USE OR REPRODUCTION OF THIS DRAWING FOR THE PURPOSE OF MANUFACTURING THIS ARTICLE OR ANY ARTICLES SHOWN FOR ANY PURPOSE IS STRICTLY PROHIBITED WITHOUT WRITTEN PERMISSION FROM SENIOR INDUSTRIES, INC.

SPECIFICATIONS



ELECTRICAL:

CONTACT RATING: 1.5A AT 125 VAC
 CONTACT RESISTANCE: 30 MILLIOHMS MAX.
 INSULATION RESISTANCE: 500 MEGOHMS MIN. AT 500 VDC
 DIELECTRIC STRENGTH: 1000 VRMS FOR 1 MINUTE
 LED RATINGS: FORWARD VOLTAGE: 2.2 VOLTS TYPICAL
 REVERSE VOLTAGE: 5 VOLTS MINIMUM

MECHANICAL:

LIFE: 750 CYCLES MIN.

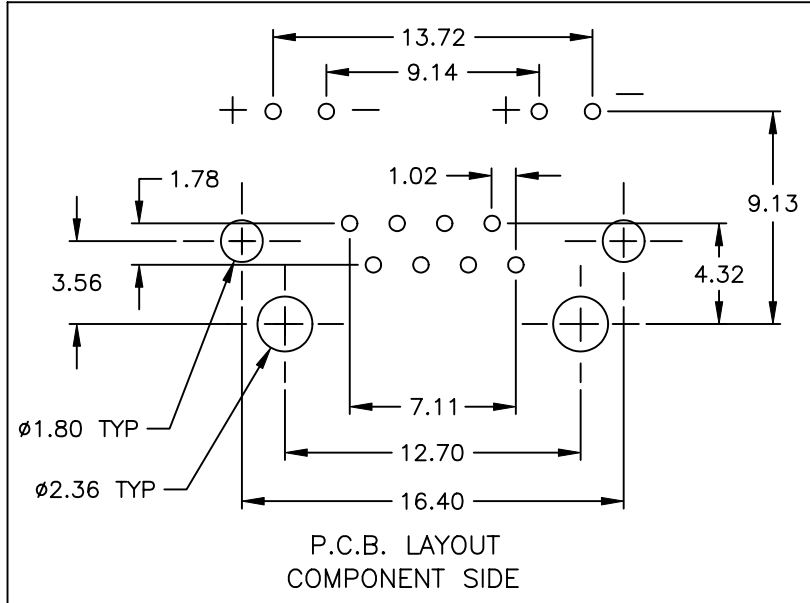
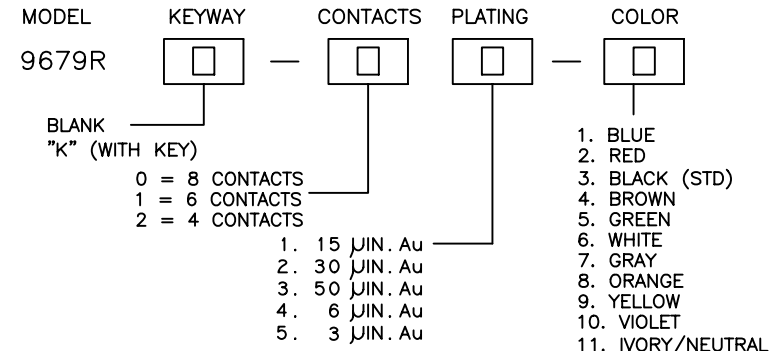
ENVIRONMENTAL:

OPERATING TEMPERATURE: 0°C TO 70°C
 STORAGE TEMPERATURE: -40°C TO +85°C

MATERIAL:

HOUSING: GLASS FILLED POLYESTER, UL94V-0
 INSERT: GLASS FILLED POLYESTER, UL94V-0
 LENS: PC, UL94V-0, CLEAR
 SHIELD: COPPER ALLOY
 TERMINALS: PHOSPHOR BRONZE, 0.35t
 PLATING: CONTACT AREA - SELECTIVE GOLD PLATING OVER NICKEL OVER TIN
 TERMINATION AREA - 100 μIN TIN OVER NICKEL

PART NUMBER BUILDER:



SENIOR INDUSTRIES, INC.

DESIGNED:			SYM.	DATE:	DESCRIPTION OF REVISIONS:	DRAWN:	APPD:
DRAWN:	RB	09/12/03	▲	09.12.03	NEW	RB	JF
CHECKED:	GAT	02/17/06	▲	08.15.05	New Index, PN Builder Corrected, Lead rem'd	KO	JF
APPROVED:	JF	02/17/06	▲				

TOLERANCE:	PART NO:	9679R-XX-X
TO 1 DECIMAL PLACE: ±.3	TITLE:	MODULAR JACK
TO 2 DECIMAL PLACES: ±.15	SHEET:	1 OF 1

3RD ANGLE	UNIT:	mm	SCALE:	2:1	REV:	B
-----------	-------	----	--------	-----	------	---

AS ANGLES:	±1/2°
------------	-------