

COMPONENT SPECIFICATION

USE OR REPRODUCTION OF THIS DRAWING FOR THE PURPOSE OF MANUFACTURING THIS ARTICLE OR ANY ARTICLES SHOWN FOR ANY PURPOSE IS STRICTLY PROHIBITED WITHOUT WRITTEN PERMISSION FROM SENIOR INDUSTRIES, INC.

SPECIFICATIONS

ELECTRICAL:

CONTACT RATING: 1.5A AT 125 VAC
 CONTACT RESISTANCE: 30 MILLIOHMS MAX.
 INSULATION RESISTANCE: 500 MEGOHMS MIN. AT 500 VDC
 DIELECTRIC STRENGTH: 500 VRMS FOR 1 MINUTE

MECHANICAL:

CRIMP TENSILE STRENGTH: 2.3 Kg MIN.

MATERIAL:

HOUSING: ABS, UL94V-0
 CONTACT: 0.46mm PHOSPHOR BRONZE, GOLD OVER NICKEL
 SHORTING BARS: 0.46mm PHOSPHOR BRONZE, GOLD OVER NICKEL
 TERMINAL: 0.4mm BRASS, 100 MICROINCHES TIN PLATING
 WIRE STYLE: UL1061 AWM 80°C, VW-1.300V, 26 AWG PVC INSULATION. TOP COATED UL1061 WIRE.

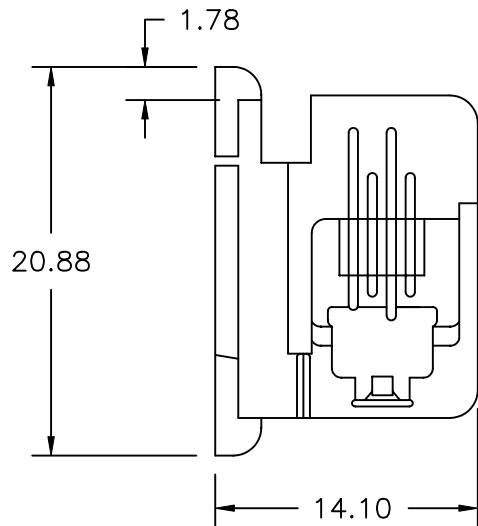
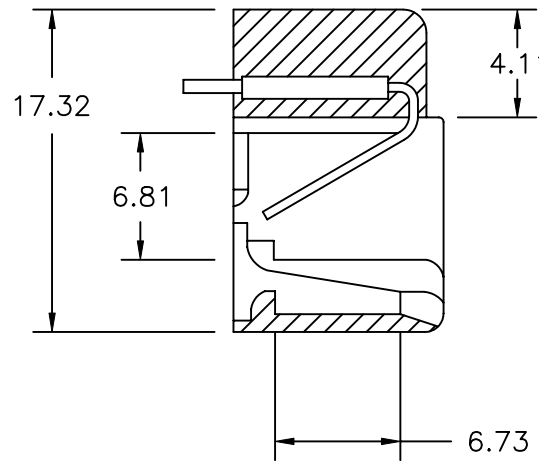
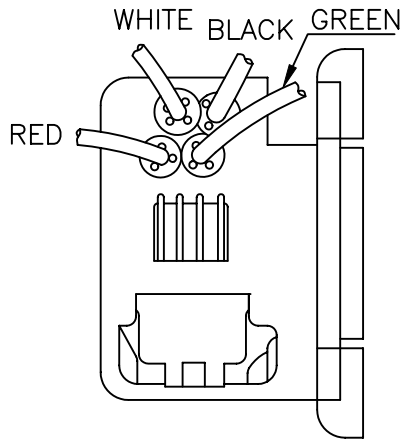
REGULATORY:

UL RECOGNIZED COMPONENT. UL FILE NO. E147880.

PART NUMBER BUILDER:

MODEL	CONTACTS	PLATING	WIRE TERMINATION	COLOR
9926				
0 = 4 CONTACTS				
1 = 2 CONTACTS				
1. 15 μIN. Au				1. BLUE
2. 30 μIN. Au				2. RED
3. 50 μIN. Au				3. BLACK (STD)
4. 6 μIN. Au				4. BROWN
5. 3 μIN. Au				5. GREEN
				6. WHITE
				7. GRAY
				8. ORANGE
				9. YELLOW
				10. VIOLET
				11. IVORY/NEUTRAL

BLANK (STRIP & DIP)
 'A' (SPADE TERMINAL)



SENIOR INDUSTRIES, INC.

DESIGNED:			SYM.	DATE:	DESCRIPTION OF REVISIONS:	DRAWN:	APPD:
DRAWN:	RJT	02/07/01	▲	03.14.01	NEW	RB	JF
CHECKED:	GAT	02/23/06	▲	08.08.05	New Index, PN Builder Corrected, UL rating added	KO	JF
APPROVED:	JF	02/23/06	▲	.	.		
			▲	.	.		
3RD ANGLE		UNIT:	mm	SCALE:	2:1	REV:	B

TOLERANCE:	PART NO:	9926-XX-X-X
TO 1 DECIMAL PLACE: ±.3	TITLE:	MODULAR JACK
TO 2 DECIMAL PLACES: ±.15	SHEET:	1 OF 1
AS ANGLES: ±1/2°		