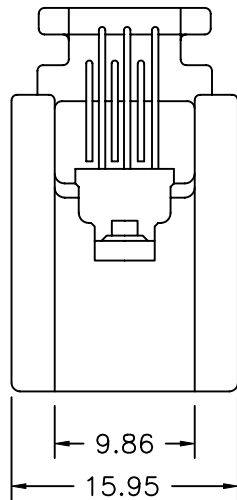
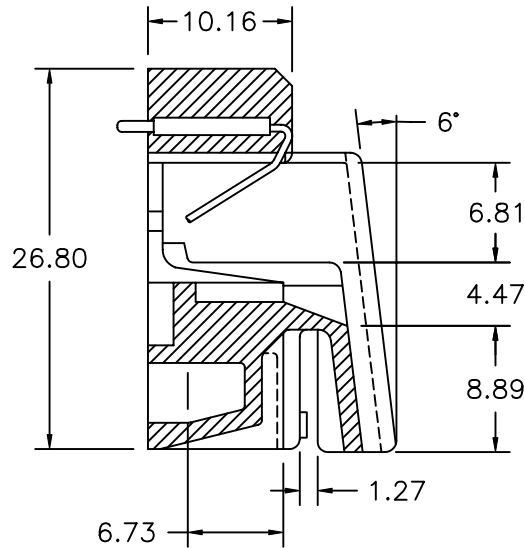
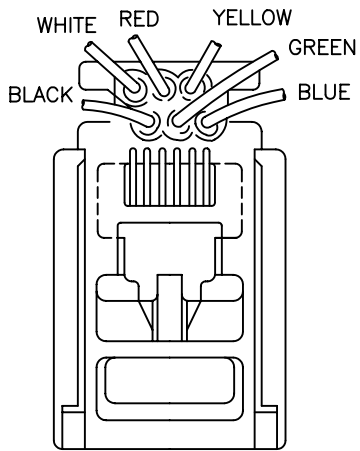


COMPONENT SPECIFICATION

USE OR REPRODUCTION OF THIS DRAWING FOR THE PURPOSE OF MANUFACTURING THIS ARTICLE OR ANY ARTICLES SHOWN FOR ANY PURPOSE IS STRICTLY PROHIBITED WITHOUT WRITTEN PERMISSION FROM SENIOR INDUSTRIES, INC.

SPECIFICATIONS



**ELECTRICAL:**

CONTACT RATING: 1.5A AT 125 VAC  
 CONTACT RESISTANCE: 30 MILLIOHMS MAX.  
 INSULATION RESISTANCE: 500 MEGOHMS MIN. AT 500 VDC  
 DIELECTRIC STRENGTH: 500 VRMS FOR 1 MINUTE

**MECHANICAL:**

CRIMP TENSILE STRENGTH: 2.3 Kg MIN.

**MATERIAL:**

HOUSING: ABS, UL94V-0  
 CONTACT: 0.46mm PHOSPHOR BRONZE, GOLD OVER NICKEL  
 SHORTING BARS: 0.46mm PHOSPHOR BRONZE, GOLD OVER NICKEL  
 TERMINAL: 0.4mm BRASS, 100 MICROINCHES TIN  
 WIRE STYLE: UL1061 AWM 80°C, VW-1.300V, 26 AWG PVC INSULATION. TOP COATED UL1061 WIRE.

**REGULATORY:**

UL RECOGNIZED COMPONENT. UL FILE NO. E147880.

**PART NUMBER BUILDER:**

MODEL	CONTACTS	PLATING	WIRE TERMINATION	COLOR
9936	<input type="checkbox"/>	<input type="checkbox"/>	<input type="checkbox"/>	<input type="checkbox"/>
0 = 6 CONTACTS	1 = 4 CONTACTS	1. 15 JIN. Au	BLANK (STRIP & DIP)	1. BLUE
2 = 2 CONTACTS		2. 30 JIN. Au	'A' (SPADE TERMINAL)	2. RED
		3. 50 JIN. Au		3. BLACK (STD)
		4. 6 JIN. Au		4. BROWN
		5. 3 JIN. Au		5. GREEN
				6. WHITE
				7. GRAY
				8. ORANGE
				9. YELLOW
				10. VIOLET
				11. IVORY/NEUTRAL



**SENIOR INDUSTRIES, INC.**

DESIGNED:			SYM.	DATE:	DESCRIPTION OF REVISIONS:	DRAWN:	APPD:	
DRAWN:	RJT	02/07/01	▲	03.14.01	NEW	RB	JF	
CHECKED:	GAT	02/24/06	▲	08.08.05	New Index, PN Builder Corrected, 3rd X in PN	KO	JF	
APPROVED:	JF	02/24/06	▲					
<b>3RD ANGLE</b>			UNIT:	mm	SCALE:	2:1	REV:	B

TOLERANCE:	PART NO:	9936-XX-X-X
TO 1 DECIMAL PLACE: ±.3	TITLE:	MODULAR JACK
TO 2 DECIMAL PLACES: ±.15	SHEET:	1 OF 1
AS ANGLES: ±1/2°		