

1

2

3

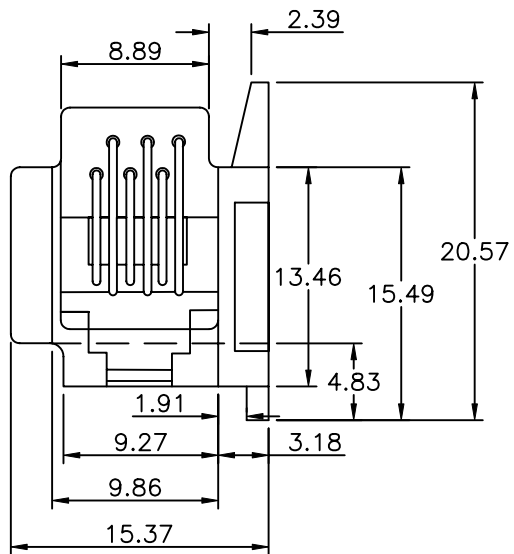
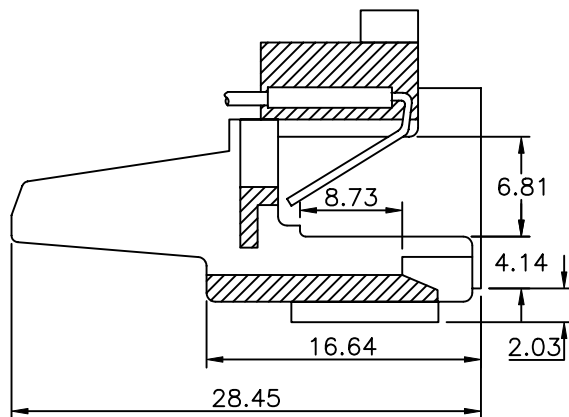
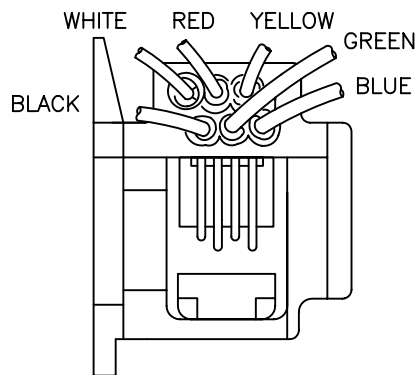
4

5

COMPONENT SPECIFICATION

USE OR REPRODUCTION OF THIS DRAWING FOR THE PURPOSE OF MANUFACTURING THIS ARTICLE OR ANY ARTICLES SHOWN FOR ANY PURPOSE IS STRICTLY PROHIBITED WITHOUT WRITTEN PERMISSION FROM SENIOR INDUSTRIES, INC.

SPECIFICATIONS



ELECTRICAL:

CONTACT RATING: 1.5A AT 125 VAC
 CONTACT RESISTANCE: 30 MILLIOHMS MAX.
 INSULATION RESISTANCE: 500 MEGOHMS MIN. AT 500 VDC
 DIELECTRIC STRENGTH: 500 VRMS FOR 1 MINUTE

MECHANICAL:

CRIMP TENSILE STRENGTH: 2.3 Kg MIN.

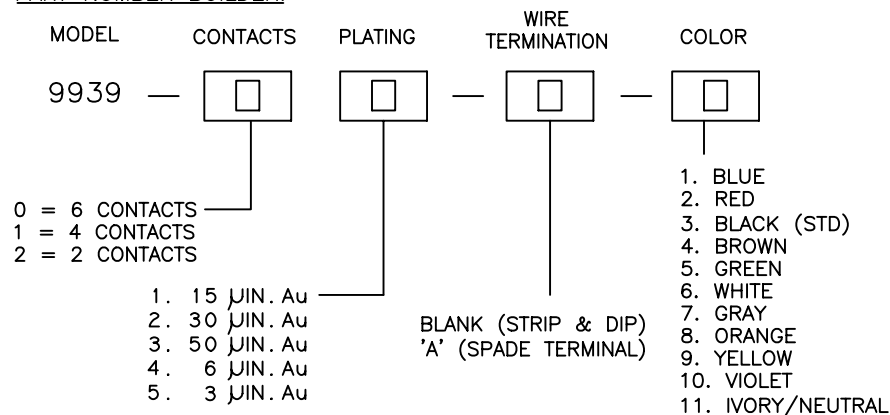
MATERIAL:

HOUSING: ABS, UL94V-0
 CONTACT: 0.46mm PHOSPHOR BRONZE, GOLD OVER NICKEL
 SHORTING BARS: 0.46mm PHOSPHOR BRONZE, GOLD OVER NICKEL
 TERMINAL: 0.4mm BRASS, 100 MICROINCHES TIN
 WIRE STYLE: UL1061 AWM 80°C, VW-1.300V, 26 AWG PVC INSULATION. TOP COATED UL1061 WIRE.

REGULATORY:

UL RECOGNIZED COMPONENT. UL FILE NO. E147880.

PART NUMBER BUILDER:



SENIOR INDUSTRIES, INC.

DESIGNED:	SYMBOL	DATE:	DESCRIPTION OF REVISIONS:	DRAWN:	APPD:
RJT		02.07.01	NEW	RB	JF
GAT		02.27.06	New index, UL rating, Lead rem'd	GAT	JF
JF					

TOLERANCE:	PART NO:	9939-XX-X-X
TO 1 DECIMAL PLACE: $\pm .3$	TITLE:	MODULAR JACK
TO 2 DECIMAL PLACES: $\pm .15$	SHEET:	1 OF 1
AS ANGLES: $\pm 1/2^\circ$		

3RD ANGLE		UNIT: mm	SCALE: 2:1	REV: B
-----------	--	----------	------------	--------