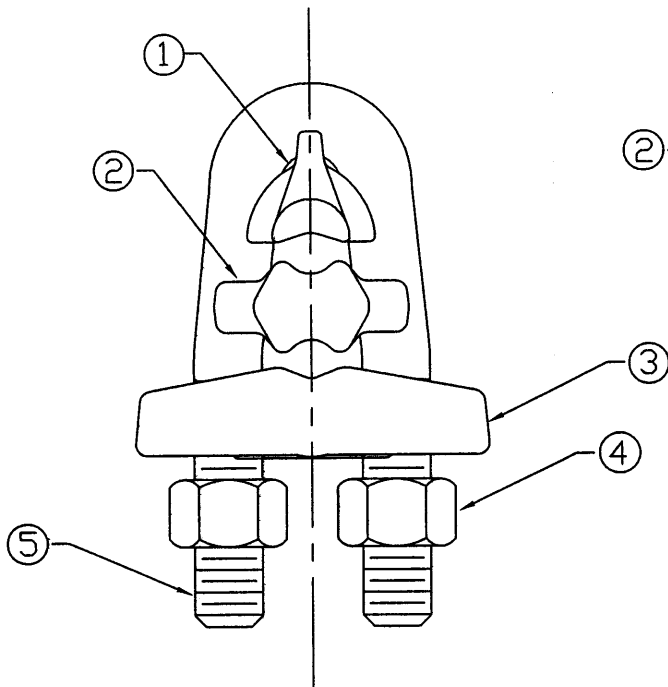
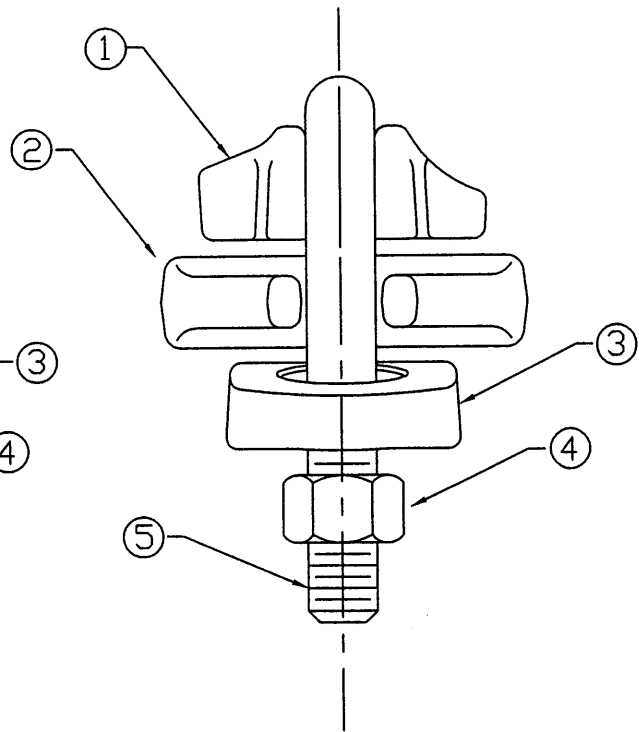


ITEM #	PART #	CATALOG #	DESCRIPTION	QTY	DWG
1	P64584	>GC-64-C	GC-64 CAP	1	PB-1695
2	P64585	>GC-64-M	GC-64 MIDDLE	1	PB-1695
3	P64583	>GC-64-B	GC-64 BOTTOM	1	PB-1695
4	P56136	H-0400-03	3/8" HEX NUT	2	HA-400
5	P64053	M-359-1	3/8" VEE BOLT	1	MA-359



FRONT VIEW



SIDE VIEW

PROPRIETARY

This information is confidential and is the property of Continental Electric Company, a Corporation. It is for the use of customers only and may not be made public, distributed or loaned to others, or any part reproduced without the written consent of Continental Electric Co. except that the customer may make copies for use solely in the installation, maintenance, and operation of products supplied by Continental Electric Company.

MACLEAN POWER SYSTEMS

BIRMINGHAM, ALABAMA

A MacLean Power Systems Co.

CATALOG NUMBER: GC-64C
 UNIVERSAL GUY CLAMP
 ASSEMBLY DRAWING

NO.	DATE	DESCRIPTION	BY
1	6/13/05	REDRAWN IN CAD / HDW LIST ADDED	MW

DATE: 10/28/85	SCALE: NONE	NO. CEA-2176	R / 1	SH.1 OF 1
BY: AH	CHKD. BY:	APR. BY:		