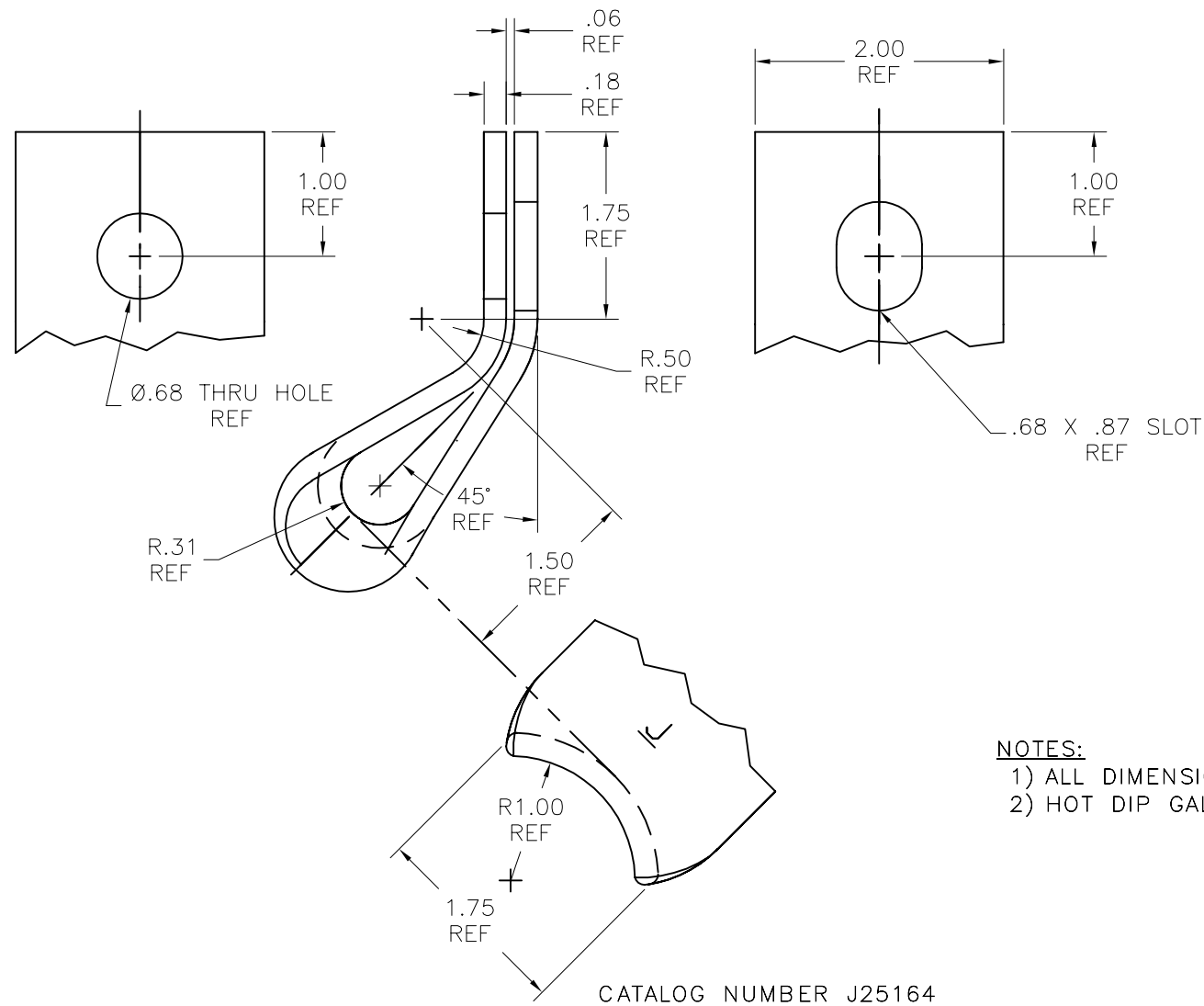


PAPER SIZE	DRAWING NUMBER	
B SIZE	GD-J25164	
REV	REVISION DATE	ECO
A	09-23-09	9733



NOTES:
 1) ALL DIMENSIONS ARE REFERENCE AND IN INCHES.
 2) HOT DIP GALVANIZED.

CATALOG NUMBER J25164

This drawing contains confidential information that is the property of MacLean Power, L.L.C. ("MacLean"). Use of MacLean's confidential information without MacLean's express written consent is strictly prohibited and may expose you to legal liability. If you believe that you received this material in error, please destroy it or return it to "MacLean Power, L.L.C., 11411 Addison, Franklin Park, Illinois 60131, USA."

F614772

DRAWING-COMPUTER LOCATION:
 DRAWING-COMPUTER LOCATION:

TOLERANCES UNLESS SPECIFIED	
inch	
0.XX	— — —
0.XXX	— — —
ANGLE	— — —



DRAWN BY	ENGINEER	CHECKER	CATALOG #	SCALE	DESIGN DATE
RC	DEK	FJS	J25164	---	09-23-09
DRAWING TITLE / DESCRIPTION					DRAWING NUMBER
GUY ATTACHMENT, ONE BOLT					GD-J25164