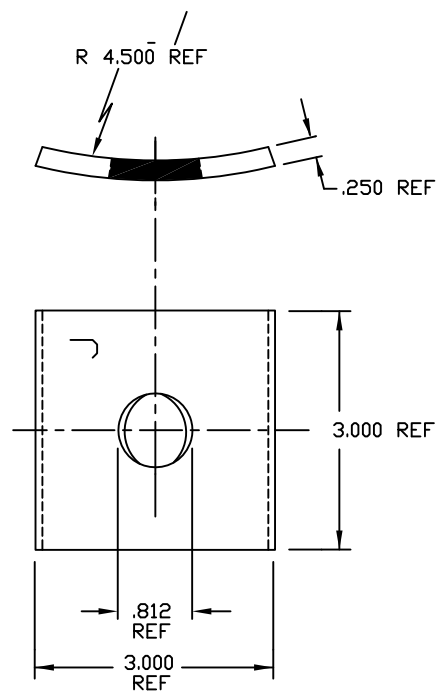


A | B | C | D | E | F

| | | | |
|------------|---------------|----------------|--|
| PAPER SIZE | | DRAWING NUMBER | |
| B SIZE | | GD-J6823 | |
| REV | REVISION DATE | ECO | |
| A | 07-10-12 | 10662 | |
| B | 08-13-12 | 10690 | |



NOTES:

1. MATERIAL: HOT ROLLED CARBON STEEL
2. ALL DIMENSIONS ARE REFERENCE AND ARE IN INCHES.
3. HOT DIP GALVANIZED PER ASTM A-153.

PART NO. F614478

| | |
|--------------------------------|------|
| TOLERANCES UNLESS SPECIFIED | |
| inches | |
| 0.XX | ---- |
| 0.XXX | ---- |
| ANGLE | ---- |



| | | | | | |
|--------------------------------------|----------|---------|-----------|-------|----------------|
| DRAWN BY | ENGINEER | CHECKER | CATALOG # | SCALE | DESIGN DATE |
| PDR | RRL | JBB | J6823 | NTS | 07-10-12 |
| DRAWING TITLE / DESCRIPTION | | | | | DRAWING NUMBER |
| SQUARE CURVED WASHERS 3 x 3 x 1/4 | | | | | GD-J6823 |

DRAWING-COMPUTER LOCATION

This drawing contains confidential information that is the property of MacLean Power, L.L.C. ("MacLean"). Use of MacLean's confidential information without MacLean's express written consent is strictly prohibited and may expose you to legal liability. If you believe that you received this material in error, please destroy it or return it to "MacLean Power, L.L.C., 11411 Addison, Franklin Park, Illinois 60131, USA."