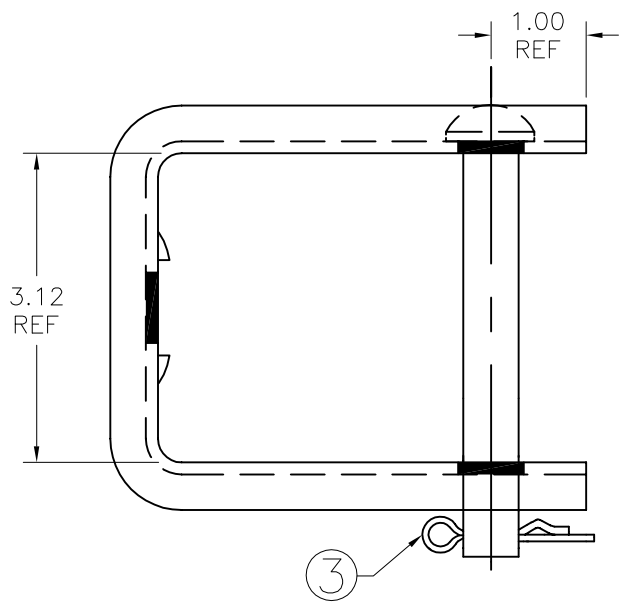
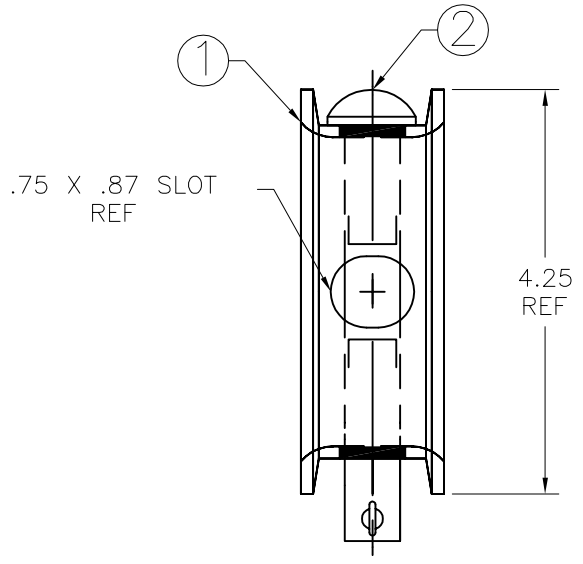
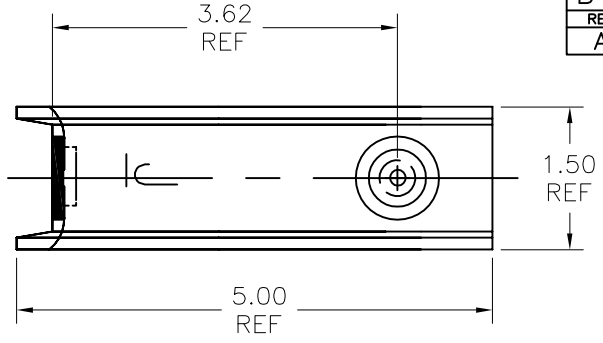


A | B | C | D | E | F

PAPER SIZE		DRAWING NUMBER	
B SIZE		GD-J93	
REV	REVISION DATE	ECO	
A	09-23-09	9718	

ITEM	QAUNTITY	DESCRIPTION
1	1	1.50 X .50 X .12 CLEVIS BODY
2	1	.62 X 5.25 BUTTON HEAD BOLT
3	1	SELF LOCKING COTTER PIN



NOTES:
 1) ALL DIMESIONS ARE REFERENCE AND IN INCHES.
 2) ITEM ① AND ② ONLY HOT DIP GALVINIZED.

CATALOG NUMBER J93

This drawing contains confidential information that is the property of MacLean Power, L.L.C. ("MacLean"). Use of MacLean's confidential information without MacLean's express written consent is strictly prohibited and may expose you to legal liability. If you believe that you received this material in error, please destroy it or return it to "MacLean Power, L.L.C., 11411 Addison, Franklin Park, Illinois 60131, USA."

F614867

DRAWING-COMPUTER LOCATION

TOLERANCES UNLESS SPECIFIED	
inch	
0.XX	---
0.XXX	---
ANGLE	---



DRAWN BY	ENGINEER	CHECKER	CATALOG #	SCALE	DESIGN DATE
RC	DEK	FJS	J93	---	09-23-09
DRAWING TITLE / DESCRIPTION					DRAWING NUMBER
CLEVIS					GD-J93