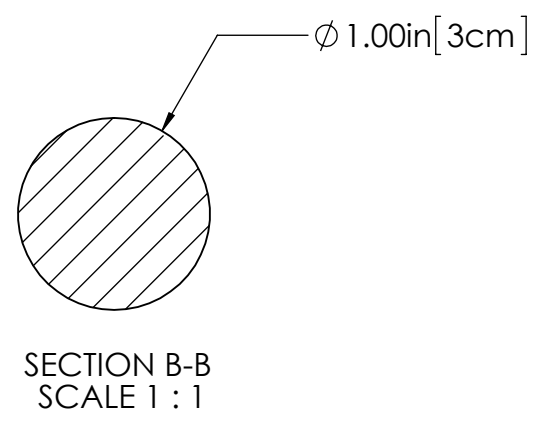
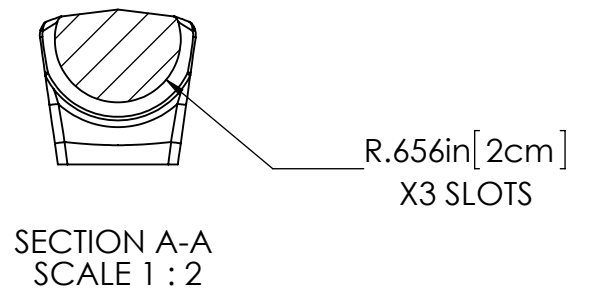
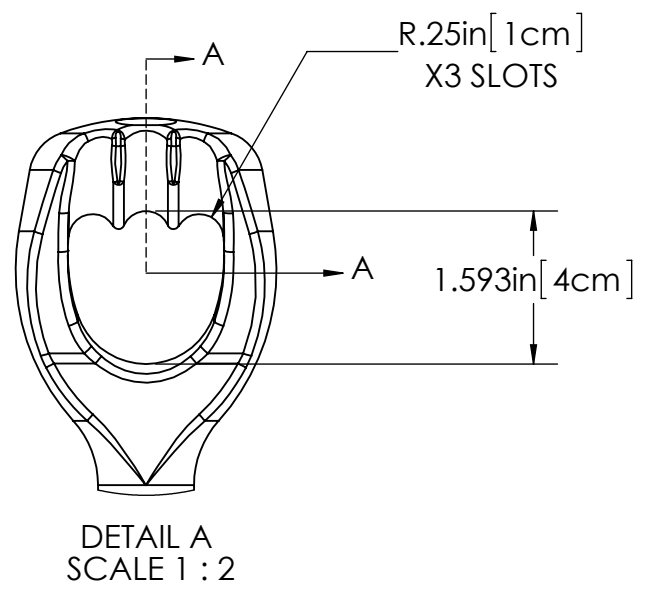
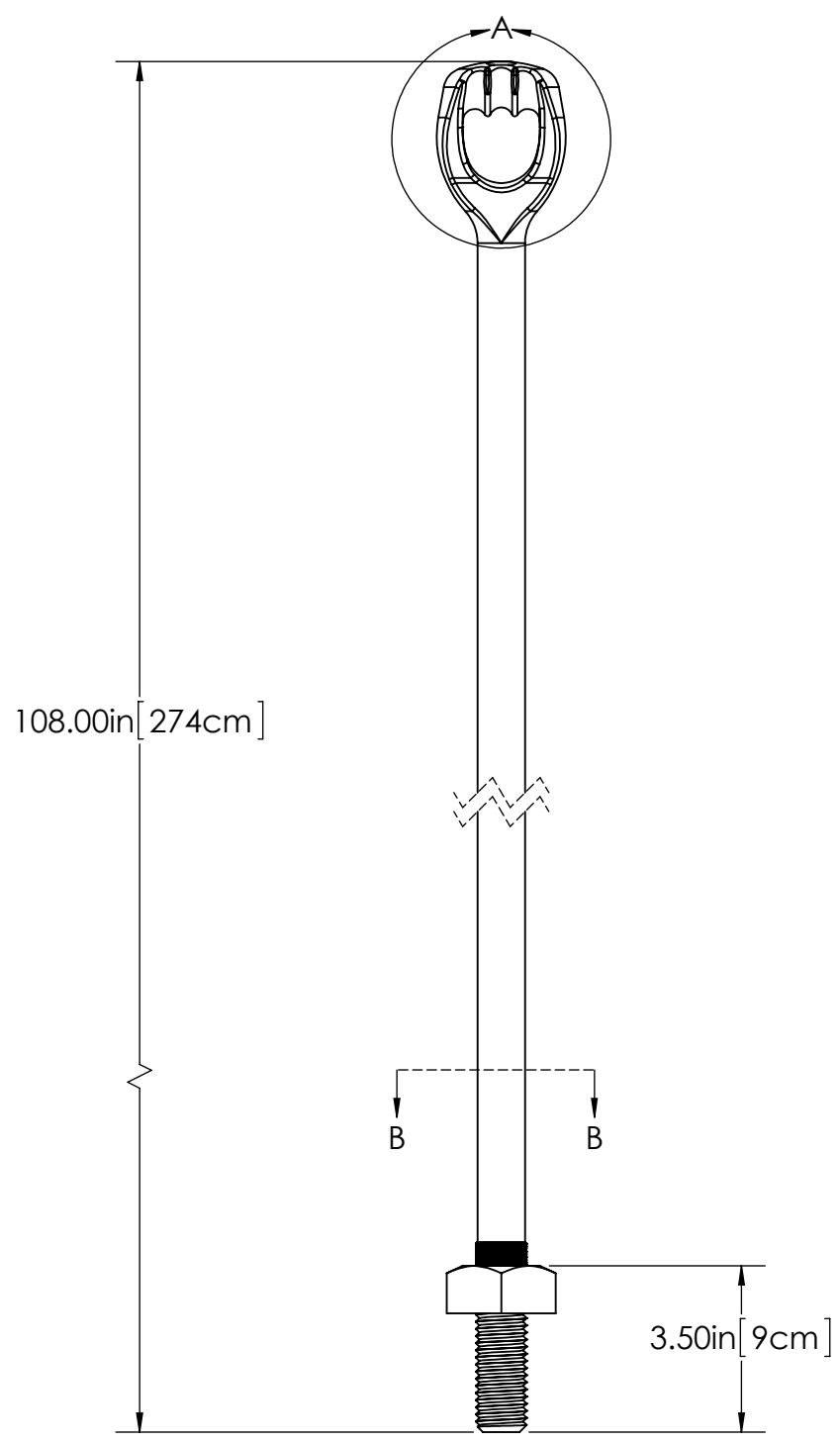


8 7 6 5 4 3 2 1

D
C
B
A



NOTES:

1. HOT DIP GALVANIZED PER ASTM A123.
2. ROD RATED AT 36,000 lbf [160,136N] ULTIMATE.
3. ASSEMBLED WITH A HEAVY SQUARE NUT.

This drawing contains confidential information that is the property of MacLean Power, L.L.C. ("MacLean"). Use of MacLean's confidential information without MacLean's express written consent is strictly prohibited and may expose you to legal liability. If you believe that you received this material in error, please destroy it or return it to "MacLean Power, L.L.C., 11411 Addison Street, Franklin Park, Illinois 60131, "USA."



DRAWING NUMBER:		J7340
SHEET NAME:	SHEET1	1 OF 1
PRODUCT DESCRIPTION		
1" FORGED TRIPLE GUY EYE THREADED ANCHOR ROD		
DRAWN BY:	CRL	DATE: 5/22/12

8 7 6 5 4 3 2 1