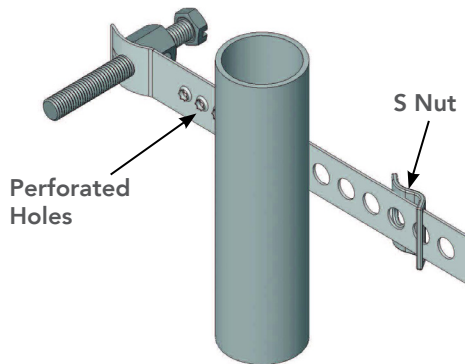


Universal Ground Strap

SI-0954 Series (Patented)

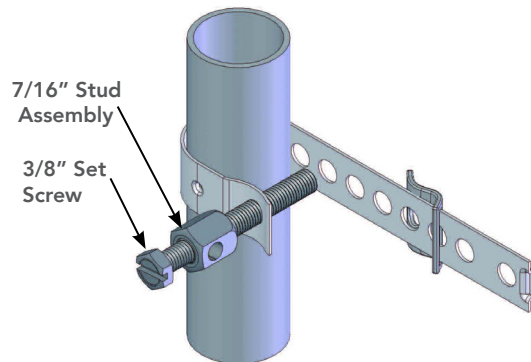
Installation Instructions:

STEP 1.



Position ground strap as shown.

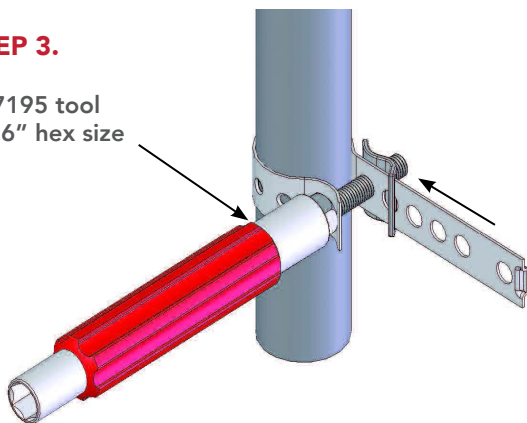
STEP 2.



Wrap ground strap around pipe and align set screw stud assembly to match closest hole to pipe on opposite side of ground strap.

STEP 3.

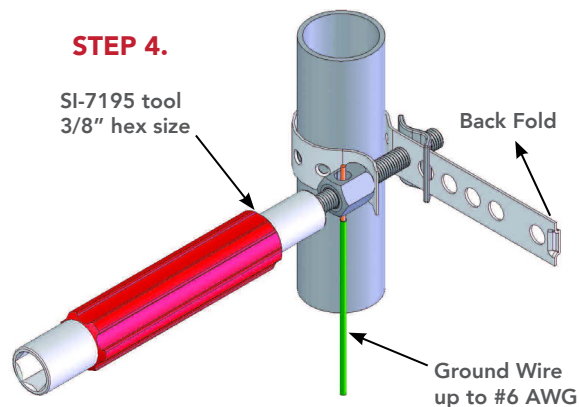
SI-7195 tool
7/16" hex size



Slide S captive nut to align with set screw stud assembly. Tighten stud assembly firmly around pipe using SI-7195 tool.

STEP 4.

SI-7195 tool
3/8" hex size



Release top set screw and insert up to a #6 AWG copper ground wire. Tighten set screw firmly to secure the ground wire using SI-7195 tool. Thread end of ground strap through slot of ground tag SI-TAG-100 and fold back any excess ground strap.

Other Lengths Available

SI-0954-6 Ground Strap Copper, 6" in length	SI-0954G-6 Ground Strap Galvanized 6" in length
SI-0954-9 Ground Strap Copper, 9" in length	SI-0954G-9 Ground Strap Galvanized 9" in length
SI-0954-12 Ground Strap Copper, 12" in length	SI-954G-12 Ground Strap Galvanized 12" in length

MacLean Network Solutions

610 Pond Drive Wood Dale, IL 60191

Phone: 800-350-1650

Email: Sales@macleansenior.com

Website: www.macleannetworksolutions.com

MacLean Network Solutions All rights reserved.

10/5/2021