

1

2

3

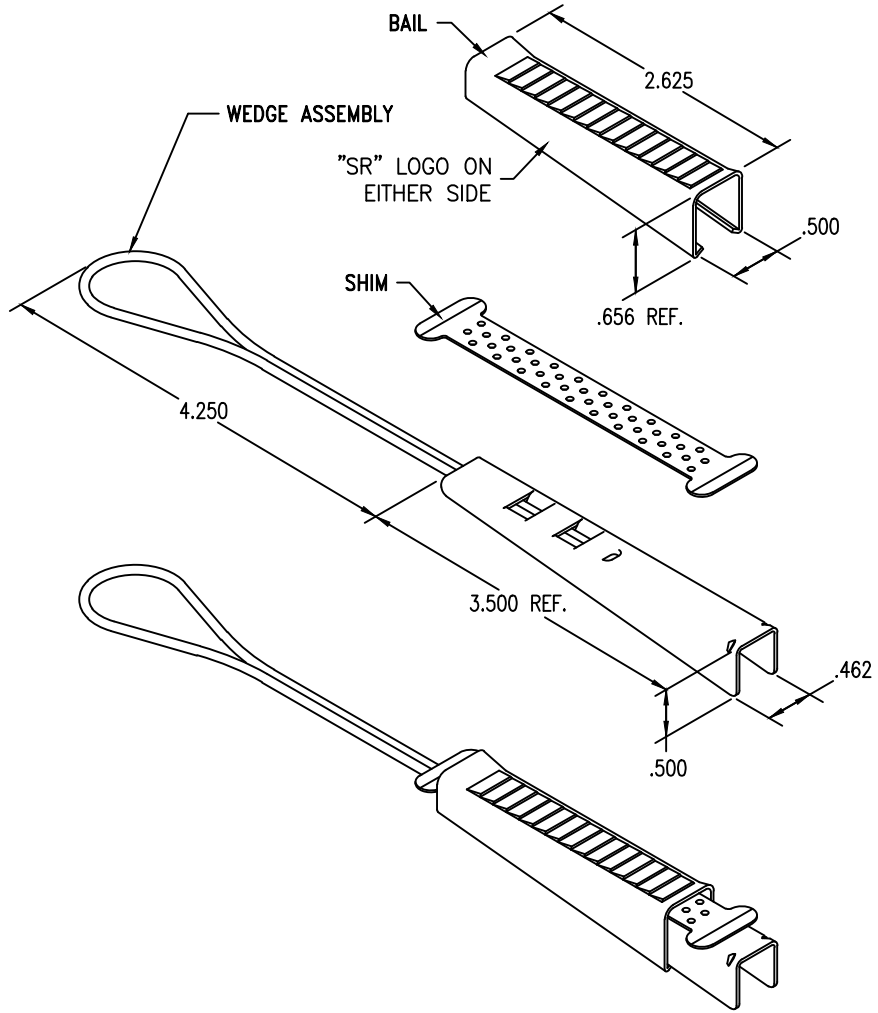
4

5

COMPONENT SPECIFICATION

USE OR REPRODUCTION OF THIS DRAWING FOR THE PURPOSE OF MANUFACTURING THIS ARTICLE OR ANY ARTICLES SHOWN FOR ANY PURPOSE IS STRICTLY PROHIBITED WITHOUT WRITTEN PERMISSION FROM SENIOR INDUSTRIES, INC.

A  
B  
C



SPECIFICATIONS:

MECHANICAL:

RANGE: 1 OR 2 PAIR DROP WIRE  
 LOAD: WHEN ASSEMBLED TO DROP WIRE, CLAMP SHALL WITHSTAND 555 LBS. FORCE WITHOUT DEGRADATION OR CABLE SLIPPAGE.  
 PACKAGING: 2 PARTS PACKAGED AS A PAIR

MATERIAL:

BAIL, SHIM AND WEDGE: 304 STAINLESS STEEL  
 WIRE LOOP: STAINLESS STEEL 430, .081" DIA.



DESIGNED:			SYM. DATE DESCRIPTION OF REVISIONS:				DRAWN:	APPD:	TOLERANCE:	PART NO:	SI-0956
DRAWN:	GAT	06/15/07	▲	06.15.07	NEW	GAT	JF	TO 2 DECIMAL PLACE: ±			
CHECKED:	GAT	06/15/07	▲	01.23.13	ADDED PACKAGING NOTE	MAW	JF		TO 3 DECIMAL PLACES: ±	SHEET:	1 OF 1
APPROVED:	JF	06/15/07	▲	.	.			AS ANGLES: ± °			
3RD ANGLE			UNIT:	IN	SCALE:	1:1	REV:	B			