

# Universal Ground Strap SI-0958

(Patented, UL & CUL Listed)

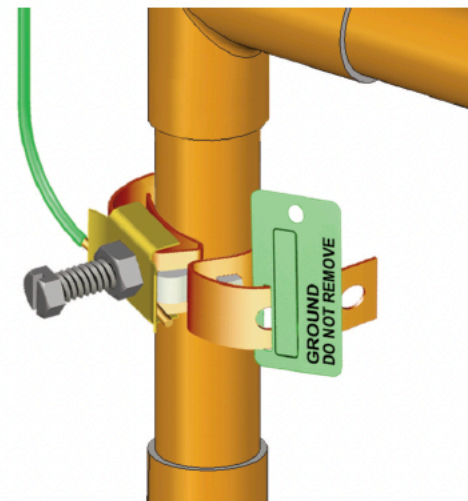
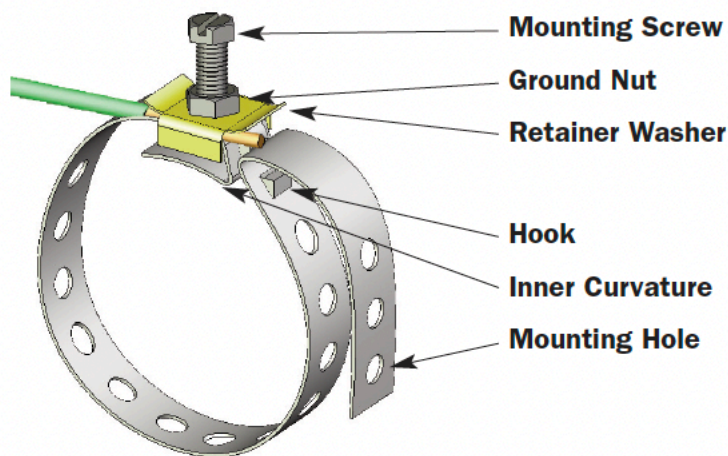
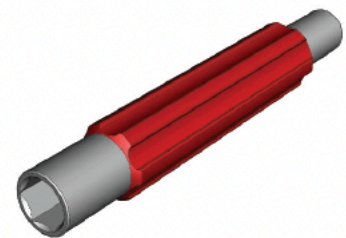
## Installation Instructions :

SI-0958 Universal Ground Straps were specifically designed to upgrade and facilitate the installation of bonding a copper ground wire to a copper pipe, galvanized pipe or service mast from existing ground strap designs.

- Step 1:** Position ground strap inner curvature against pipe.
- Step 2:** Wrap ground strap around pipe and engage mounting hole on ground strap closest to side hook.
- Step 3:** Back-off ground nut fully toward head of mounting screw.
- Step 4:** Tighten mounting screw to firmly secure ground strap around pipe using SI-7195 Tool - 3/8" size. DO NOT OVER TIGHTEN.
- Step 5:** Insert up to a #10 AWG copper ground wire under the retainer washer and tighten ground nut firmly to secure the ground wire using SI-7195 Tool - 7/16" size.
- Step 6:** Back fold any excess ground strap.

### SI-7195

Single Tool Installation  
3/8 - 7/16" Can Wrench



## Ordering Information

**SI-0958-6** Ground Strap Copper - 6" in length  
**SI-0958-9** Ground Strap Copper - 9" in length  
**SI-0958-12** Ground Strap Copper - 12" in length

**SI-0958-6G** Ground Strap Galvanized - 6" in length  
**SI-0958-9G** Ground Strap Galvanized - 9" in length  
**SI-0958-12G** Ground Strap Galvanized - 12" in length

**For technical assistance or to request samples, please call 800-350-1650**

### MacLean Network Solutions

610 Pond Drive Wood Dale, IL 60191

Phone: 800-350-1650

Email: Sales@macleansenior.com

Website: www.macleannetworksolutions.com

MacLean Network Solutions All rights reserved.

06/1/2022