

1

2

3

4

5

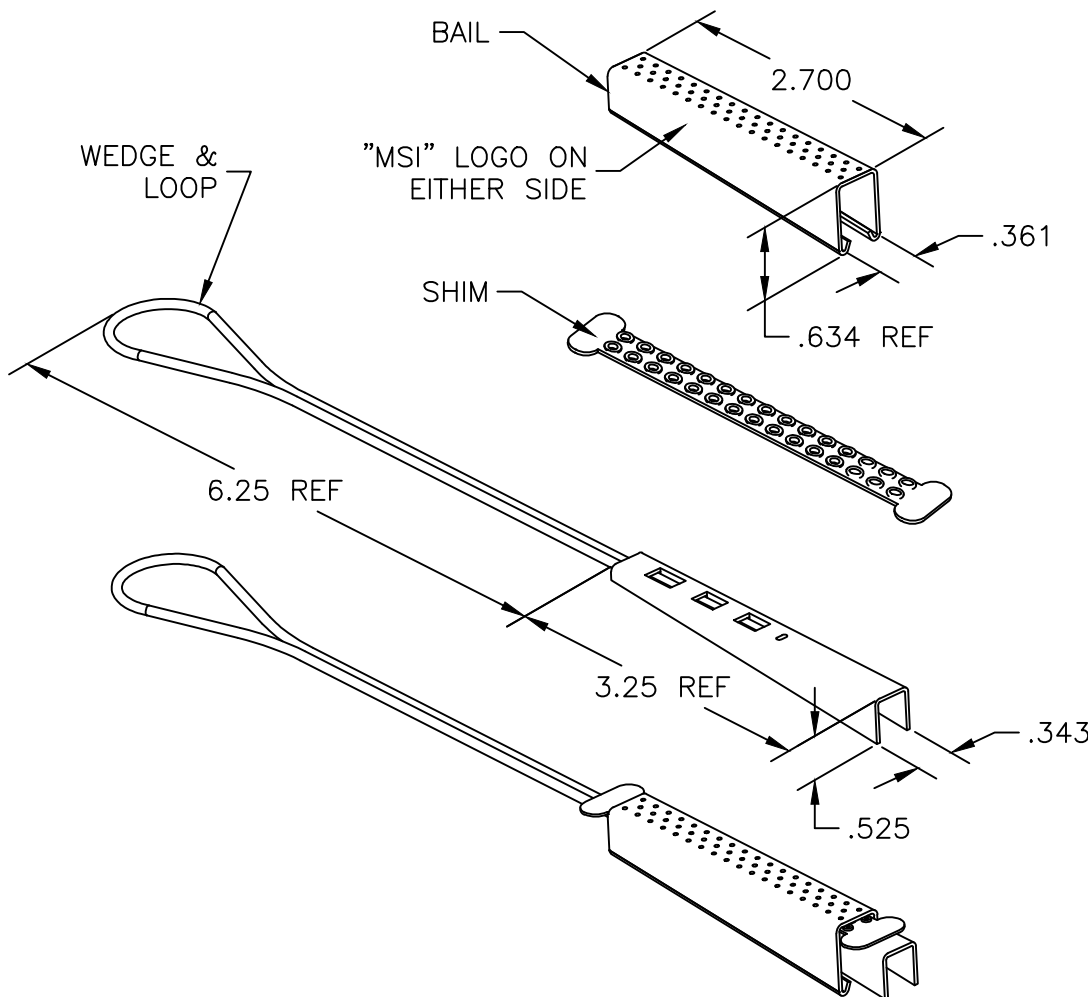
COMPONENT SPECIFICATION

USE OR REPRODUCTION OF THIS DRAWING FOR THE PURPOSE OF MANUFACTURING THIS ARTICLE OR ANY ARTICLES SHOWN FOR ANY PURPOSE IS STRICTLY PROHIBITED WITHOUT WRITTEN PERMISSION FROM SENIOR INDUSTRIES, INC.

A

B

C



SPECIFICATIONS:

MECHANICAL:

RANGE: FIBER CABLE, ~ .310" X .200"
 LOAD: WHEN ASSEMBLED TO COMMSCOPE FIBER CABLE, CLAMP SHALL WITHSTAND 600 LBS. FORCE WITHOUT DEGRADATION OR CABLE SLIPPAGE.
 PACKAGE: 25 PARTS PER SEALED PLASTIC BAG

MATERIAL:

BAIL: 300 SERIES STAINLESS STEEL, BLACK
 SHIM: 300 SERIES STAINLESS STEEL
 WEDGE: 300 SERIES STAINLESS STEEL, BLACK
 WIRE LOOP: 430 STAINLESS STEEL, BLACK



DESIGNED:			SYM.	DATE:	DESCRIPTION OF REVISIONS:	DRAWN:	APPD:	TOLERANCE:	PART NO:	SI-0972SBC
DRAWN:	MAW	03/18/16	▲	03.18.16	New	MAW	JF	TO 2 DECIMAL PLACES: ±	TITLE:	FIBER DROP CLAMP
CHECKED:	MAW	03/18/16	▲	.	.			TO 3 DECIMAL PLACES: ±	SHEET:	1 OF 1
APPROVED:	JF	03/18/16	▲	.	.			AS ANGLES: ±		
3RD ANGLE		UNIT:	inches	SCALE:		REV.	A			