

1

2

3

4

5

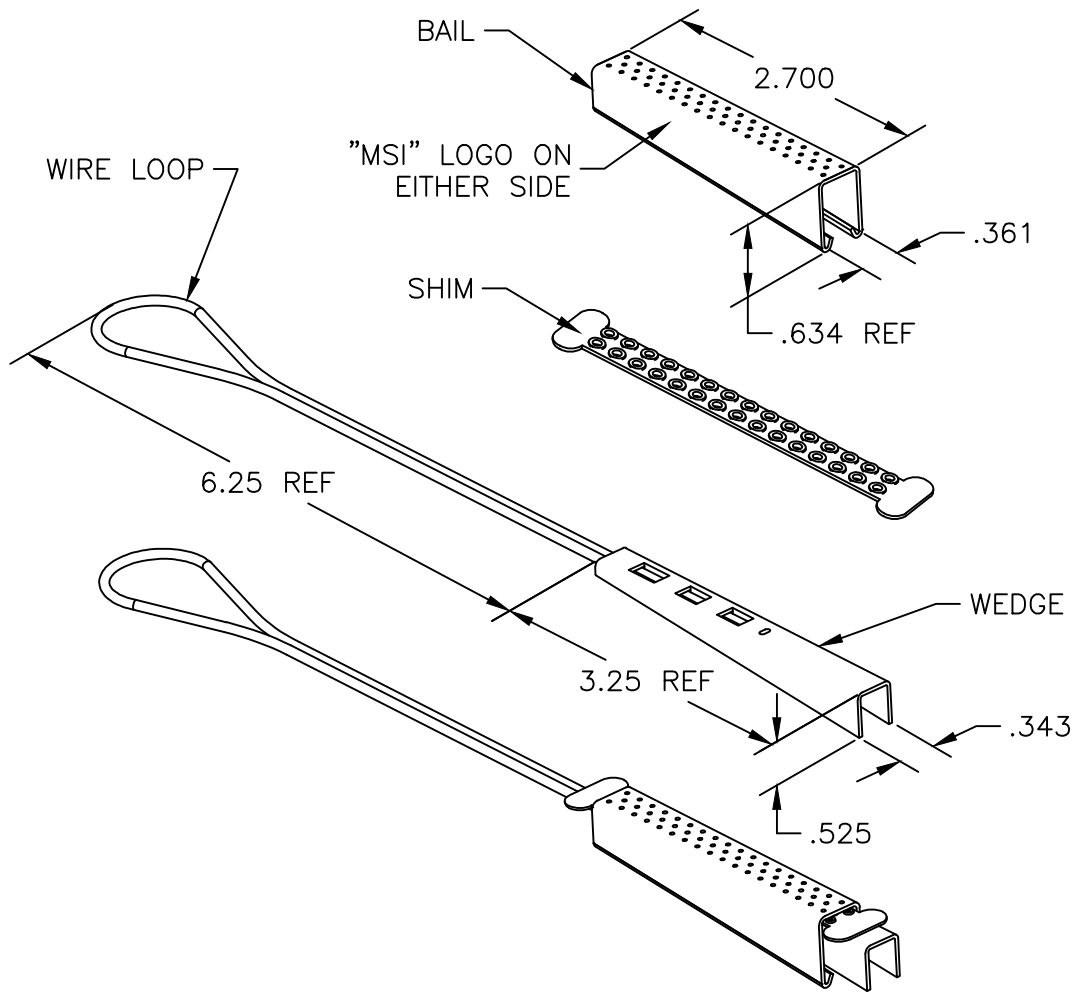
COMPONENT SPECIFICATION

USE OR REPRODUCTION OF THIS DRAWING FOR THE PURPOSE OF MANUFACTURING THIS ARTICLE OR ANY ARTICLES SHOWN FOR ANY PURPOSE IS STRICTLY PROHIBITED WITHOUT WRITTEN PERMISSION FROM MACLEAN SENIOR INDUSTRIES, LLC

A

B

C



SPECIFICATIONS:

MECHANICAL:

RANGE: FIBER CABLE, ~ .310" X .200"
 LOAD: SHALL WITHSTAND UP TO 425 LBS. WHEN FLAT FIBER DROP CABLE IS INSTALLED WITHOUT DEGRADATION OR CABLE SLIPPAGE.
 PACKAGE: 25 PARTS PER SEALED PLASTIC BAG

MATERIAL:

BAIL: STAINLESS STEEL, BLACK
 SHIM: STAINLESS STEEL
 WEDGE: STAINLESS STEEL, BLACK
 WIRE LOOP: STAINLESS STEEL, BLACK



SENIOR INDUSTRIES, INC.

DESIGNED:			SYM.	DATE:	DESCRIPTION OF REVISIONS:	DRAWN:	APPD:	TOLERANCE:	PART NO:	SI-0972SBL
DRAWN:	MAW	07/25/14	▲	07.25.14	NEW	MAW	JF	TO 2 DECIMAL PLACES: ±	TITLE:	FIBER DROP CLAMP
CHECKED:	MAW	07/25/14	▲	.	.			TO 3 DECIMAL PLACES: ±	SHEET:	1 OF 1
APPROVED:	JF	07/25/14	▲	.	.			AS ANGLES: ±		
3RD ANGLE		UNIT:	inches	SCALE:		REV.	A			