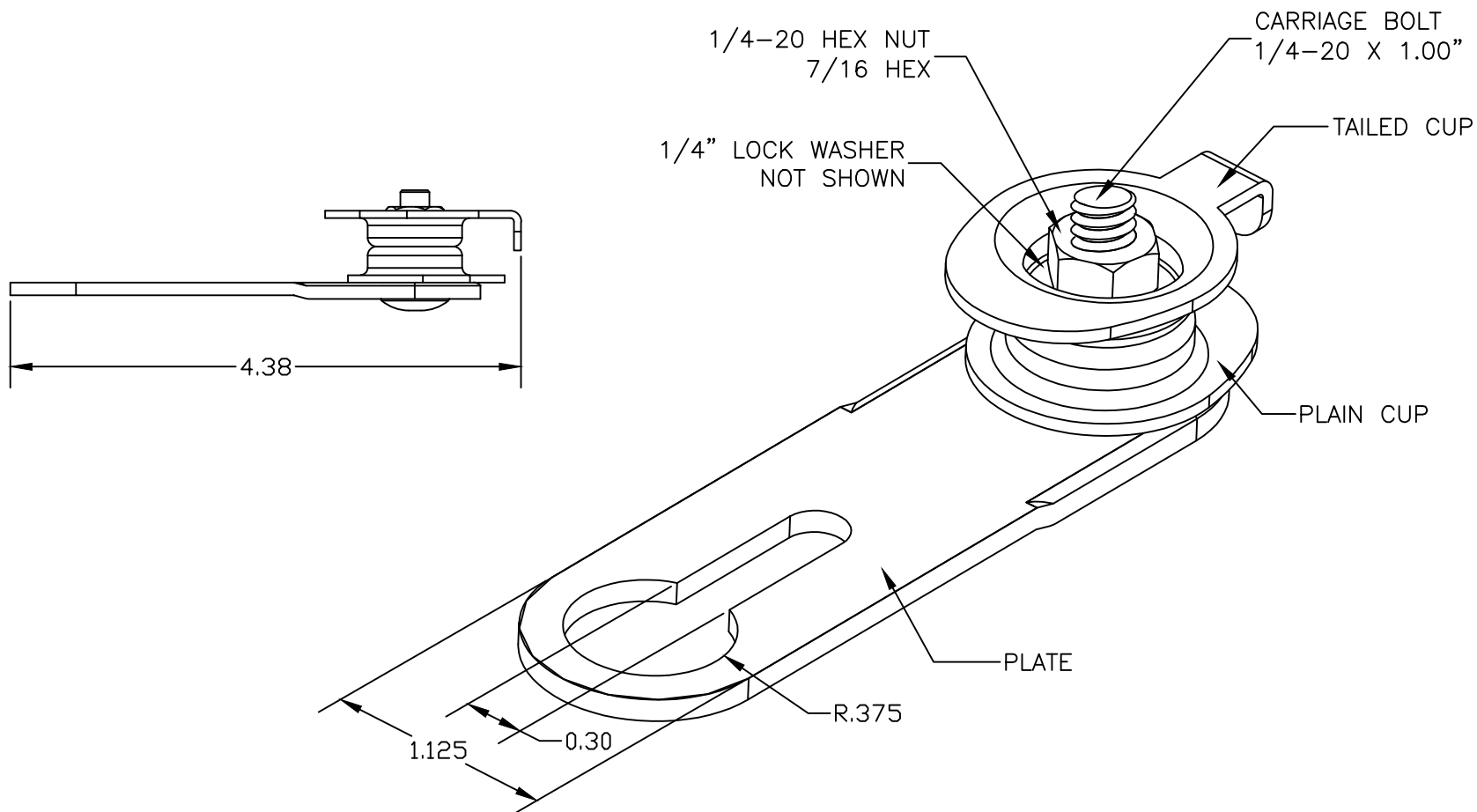


UNLESS OTHERWISE SPECIFIED,
ALL DIMENSIONS ARE IN INCHES

TO 2 DECIMAL PLACES ±
TO 3 DECIMAL PLACES ±
AS ANGLES ± 1/2 °

ISSUE
A

DATE
05/21/09



ITEM	MATERIAL AND FINISH
PLATE:	STEEL, MECHANICALLY GALVANIZED
PLAIN CUP:	STEEL, MECHANICALLY GALVANIZED
TAILED CUP:	STEEL, MECHANICALLY GALVANIZED
CARRIAGE BOLT:	STEEL, MECHANICALLY GALVANIZED
HEX NUT:	STEEL, MECHANICALLY GALVANIZED
LOCK WASHER:	STEEL, MECHANICALLY GALVANIZED



**SENIOR
INDUSTRIES, INC.**

TITLE

DROP POLE CLAMP

PART NUMBER

SI-0975

DATE

08/05/07

DRAWN

HV

CHKD

GAT

SCALE

1:1

SHEET

1 of 1