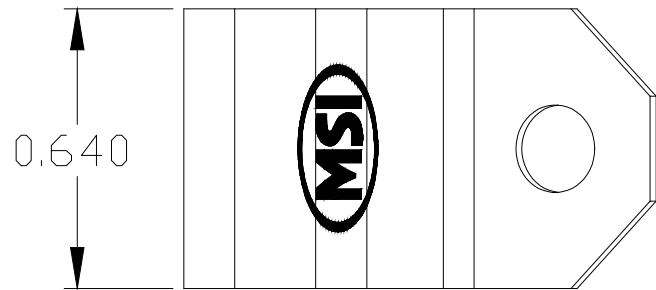
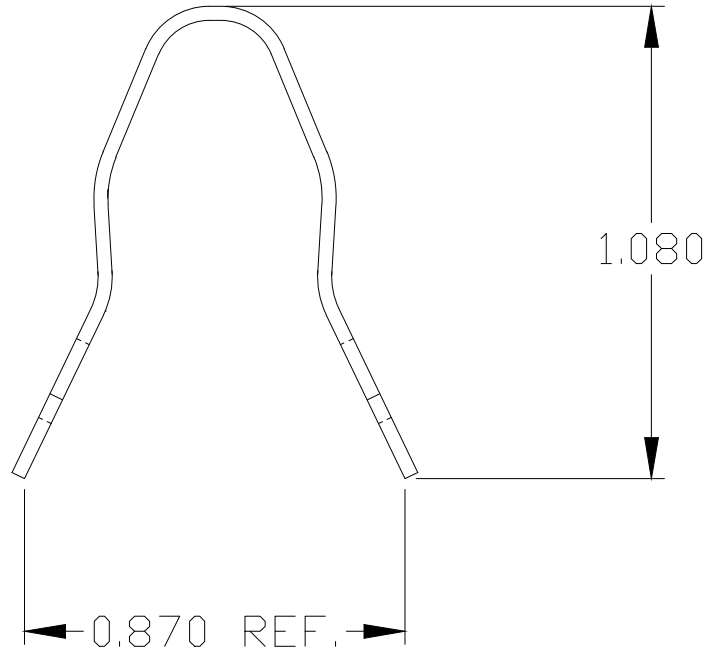
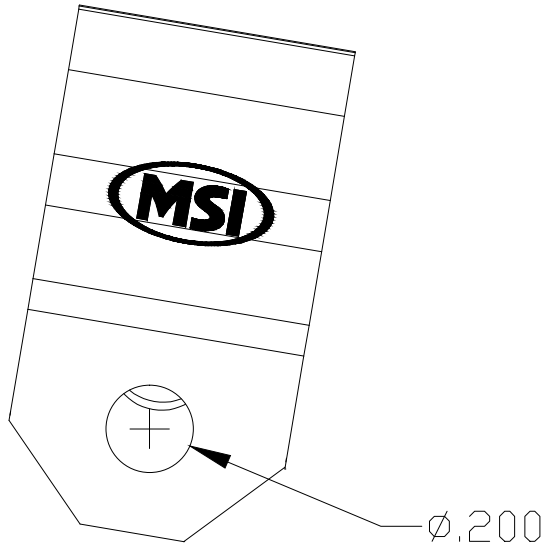


COMPONENT SPECIFICATION

USE OR REPRODUCTION OF THIS DRAWING FOR THE PURPOSE OF MANUFACTURING THIS ARTICLE OR ANY ARTICLES SHOWN FOR ANY PURPOSE IS STRICTLY PROHIBITED WITHOUT WRITTEN PERMISSION FROM MACLEAN SENIOR INDUSTRIES, LLC



MATERIAL: .032" THICK STEEL
 FINISH: MECHANICALLY PLATED PER ASTM B695
 FOR USE WITH 6 PAIR DROP CABLE



DESIGNED:			SYM.	DATE:	DESCRIPTION OF REVISIONS:	DRAWN:	APPD:	TOLERANCE:	PART NO:	SI-0987-6
DRAWN:	MAW	12/17/14	▲	12.17.14	NEW	MAW	JF			
CHECKED:	MAW	12/17/14	▲	.	.			TO 2 DECIMAL PLACES: ±	TITLE:	E DROP WIRE CLIP
APPROVED:	JF	12/17/14	▲	.	.			TO 3 DECIMAL PLACES: ±		
3RD ANGLE		UNIT:	inches	SCALE:		REV.	A	AS ANGLES: ±	SHEET:	1 OF 1