

Meter Box Clamp SI-2167C Lip Mount

(Patented, UL & CUL Listed)

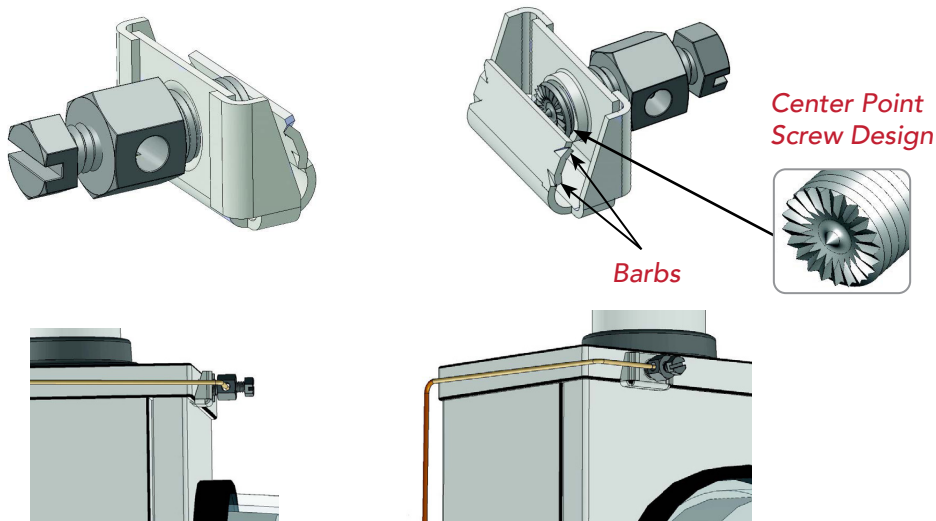
Application:

- This MSI Meter Box Clamp Permits the bonding of up to a #6 AWG copper ground wire to the metallic top front lip of the meter box without interfering with the removal of the front cover. It's suitable for use on recessed or confined meter boxes.
- The patented center point screw design prevents "walking" of the clamp during installation. The knurled edge of the screw grinds down the enamel paint to the base metal in a precise manner while the barbs on the back plate of the clamp engage the back side of the lip mount creating a positive ground.
- The MSI Meter Box Clamp is made of powder coated spring steel to match the finish on the meter box.



SI-7195

Single Tool Installation
3/8 - 7/16" Can Wrench



MacLean Network Solutions

610 Pond Drive Wood Dale, IL 60191

Phone: 800-350-1650

Email: Sales@macleansenior.com

Website: www.macleannetworksolutions.com

MacLean Network Solutions All rights reserved.

09/28/2021