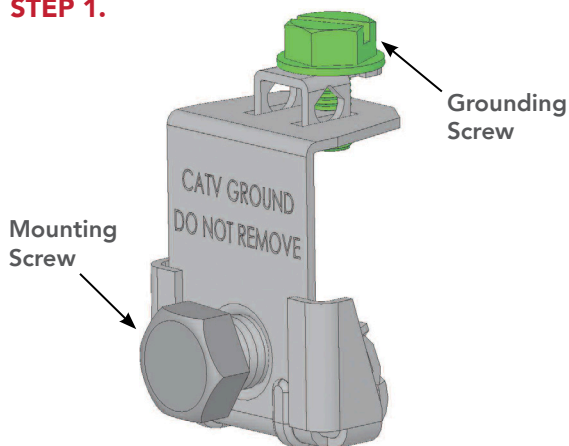


# Meter Panel Bonding Connector

SI-2167GC (Patented, UL & CUL Listed)

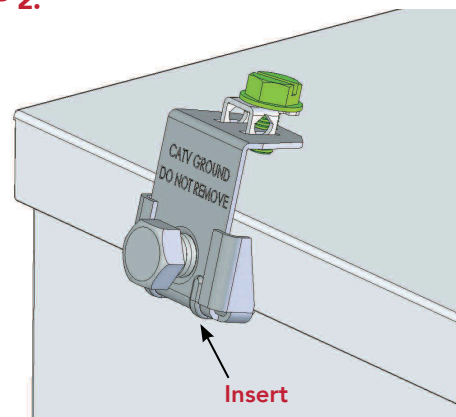
*Installation Instructions:*

**STEP 1.**



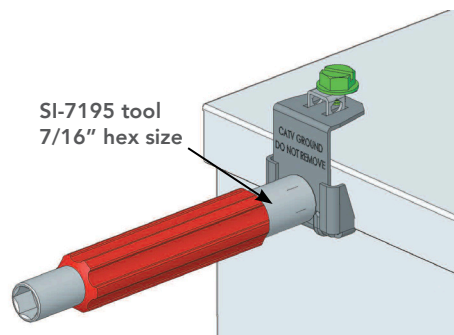
Back off both hex mounting and green grounding screws on connector to allow clearance to mount on front top lip of meter panel (left or right side).

**STEP 2.**



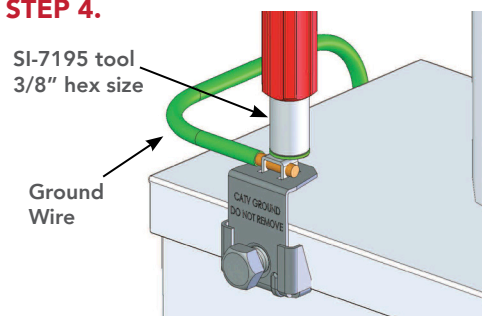
Insert Connector back plate with barbs fully behind top front lip of meter panel.

**STEP 3.**



Use SI-7195 tool to firmly tighten hex mounting screw.

**STEP 4.**



Insert up to #10 AWG copper ground wire into capitated tab, use SI-7195 tool to firmly tighten green screw to secure ground wire.