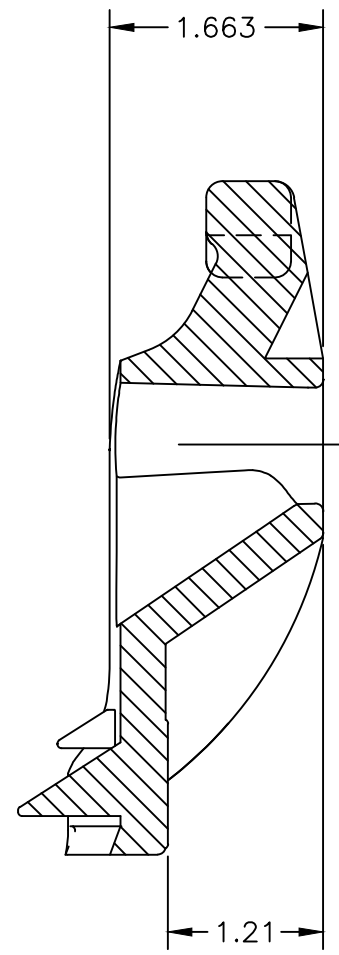
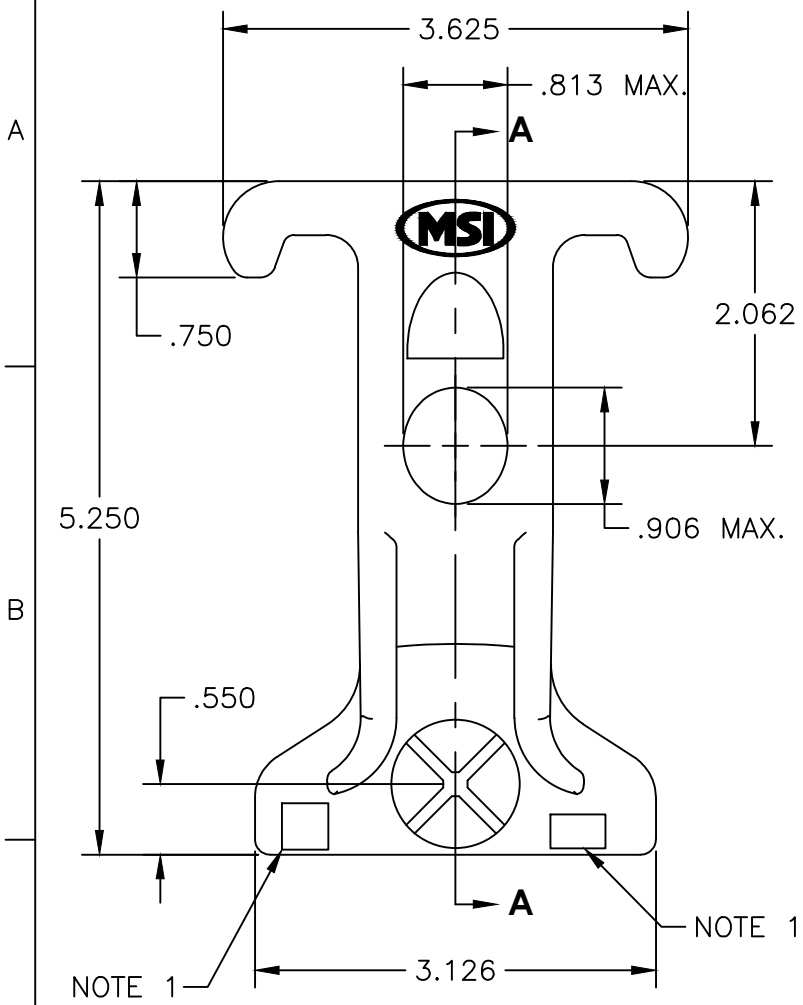


1	2	3	4	5
COMPONENT SPECIFICATION	USE OR REPRODUCTION OF THIS DRAWING FOR THE PURPOSE OF MANUFACTURING THIS ARTICLE OR ANY ARTICLES SHOWN FOR ANY PURPOSE IS STRICTLY PROHIBITED WITHOUT WRITTEN PERMISSION FROM SENIOR INDUSTRIES, INC.			

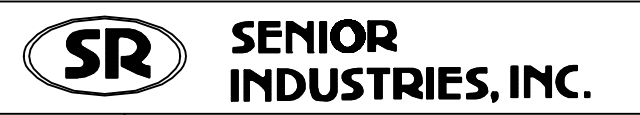


SECTION A-A

NOTES:

1. LETTER "B", THE SIZE DESIGNATION "¾", AND THE MSI LOGO SHALL APPEAR ON THE FACE OF EACH GUY HOOK.
2. HOOK SHALL BE FREE OF BLOW HOLES, SHARP EDGES, AND BURRS.
3. A ¾" DIA BOLT SHALL READILY PASS THROUGH THE BOLT HOLES.

MATERIAL: MALLEABLE IRON PER ASTM A-47
 OPTIONAL: DUCTILE IRON PER ASTM A-536 GRADE 65-45-12, 60-40-10, 60-40-18
 FINISH: HOT DIP GALVANIZED PER ASTM A153



DESIGNED:			SYM.	DATE:	DESCRIPTION OF REVISIONS:	DRAWN:	APPD:	TOLERANCE:	PART NO:	SI-4426A
DRAWN:	MAW	11/18/13	▲	11.18.13	NEW	MAW	JF	TO 2 DECIMAL PLACES: ± TO 3 DECIMAL PLACES: ±	TITLE:	¾" GUY HOOK
CHECKED:	MAW	11/18/13	▲	.	.				AS ANGLES:	SHEET:
APPROVED:	JF	11/18/13	▲	.	.					
3RD ANGLE		UNIT:	inches	SCALE:	2:3	REV.	A			