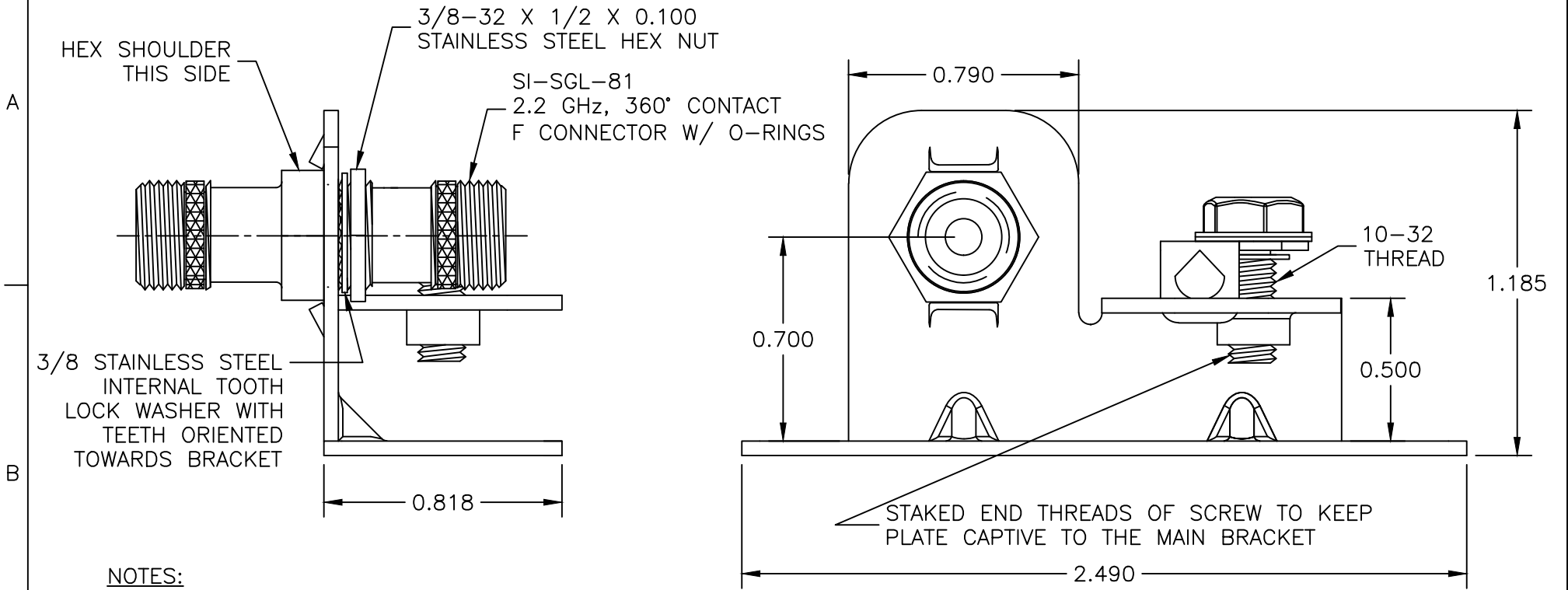


1	2	3	4	5
COMPONENT SPECIFICATION	USE OR REPRODUCTION OF THIS DRAWING FOR THE PURPOSE OF MANUFACTURING THIS ARTICLE OR ANY ARTICLES SHOWN FOR ANY PURPOSE IS STRICTLY PROHIBITED WITHOUT WRITTEN PERMISSION FROM SENIOR INDUSTRIES, INC.			



NOTES:

1. WITH SCREW FULLY EXTENDED PLATE MUST NOT DISENGAGE FROM BRACKET
2. GROUNDING CLIP SHALL ACCEPT #6 GROUND WIRE.
3. F CONNECTOR TORQUE TO INSTALL 55 IN-LBS, TORQUE TO REMOVE, TARGET 40-48 IN-LBS, 35 IN-LBS MIN.
4. GROUND BLOCK ASSY TO BE PACKED IN A PLASTIC BAG.

MATERIAL:

BRACKET: .050" THICK STAINLESS STEEL, SAND BLAST FINISH
 10-32 X .437" SCREW: STAINLESS STEEL
 CONTACT PLATE: .045" THICK STAINLESS STEEL



DESIGNED:			SYM. DATE:	DESCRIPTION OF REVISIONS:	DRAWN: APPD:	TOLERANCE:	PART NO:	SI-GB-50L
DRAWN:	MAW	09/06/11	▲ 09.06.11	NEW	MAW JF	TO 2 DECIMAL PLACE: ± TO 3 DECIMAL PLACES: ±	TITLE:	SINGLE GROUND BLOCK BRACKET ASSY
CHECKED:	MAW	09/06/11	▲ . .				TITLE:	
APPROVED:	JF	09/06/11	▲ . .			AS ANGLES: ±	SHEET:	1 OF 1
3RD ANGLE			UNIT:	IN	SCALE:	2:1	REV:	A