

COMPONENT SPECIFICATION

USE OR REPRODUCTION OF THIS DRAWING FOR THE PURPOSE OF MANUFACTURING THIS ARTICLE OR ANY ARTICLES SHOWN FOR ANY PURPOSE IS STRICTLY PROHIBITED WITHOUT WRITTEN PERMISSION FROM SENIOR INDUSTRIES, INC.

SPECIFICATIONS:

MECHANICAL:

H1 RANGE:

- SINGLE #6AWG SOLID COPPER WIRE
- #12AWG SOLID TO #8AWG SOLID COPPER WIRE
- #6AWG SOLID TO #6AWG SOLID COPPER WIRE
- #6AWG SOLID TO #4AWG SOLID COPPER WIRE

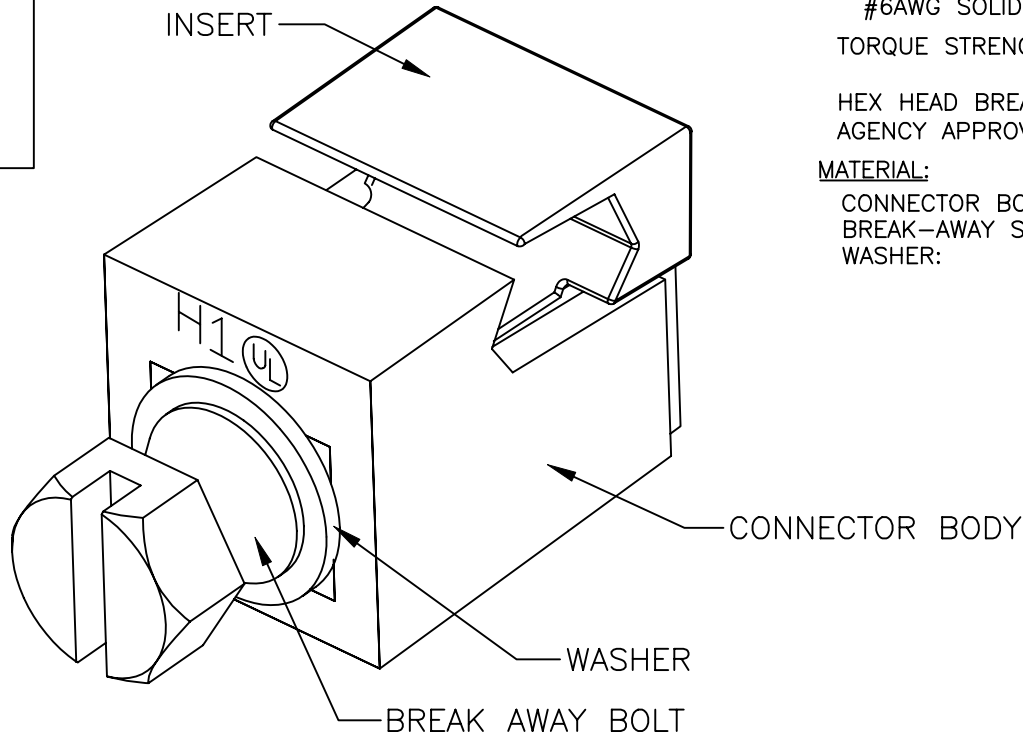
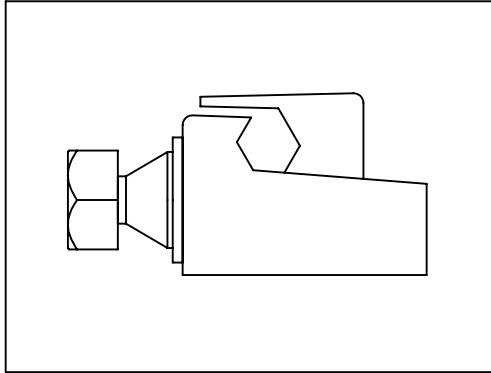
TORQUE STRENGTH: 50 IN-LBS USING #6AWG TO #6AWG CONDUCTORS

HEX HEAD BREAK AWAY: 40-50 IN-LBS

AGENCY APPROVALS: UL/CUL FILE NO. E147880

MATERIAL:

- CONNECTOR BODY AND INSERT: COPPER ALLOY
- BREAK-AWAY SCREW: SILICON BRONZE
- WASHER: COPPER ALLOY



**SENIOR INDUSTRIES, INC.**

DESIGNED:			SYM:	DATE:	DESCRIPTION OF REVISIONS:	DRAWN:	APPD:	TOLERANCE:	PART NO:	SI-0081B	
DRAWN:	HV	06/29/07	△	07.30.07	NEW	GAT	JF				
CHECKED:	GAT	07/30/07	△	.	.			TO 2 DECIMAL PLACE: ±	TITLE	CLAMP ASSEMBLY	
APPROVED:	JF	07/30/07	△	.	.			TO 3 DECIMAL PLACES: ±			
3RD ANGLE		UNIT:	IN	SCALE:	4:1	REV.	A	AS ANGLES:	±1/2°	SHEET:	1 OF 1