

COMPONENT SPECIFICATION

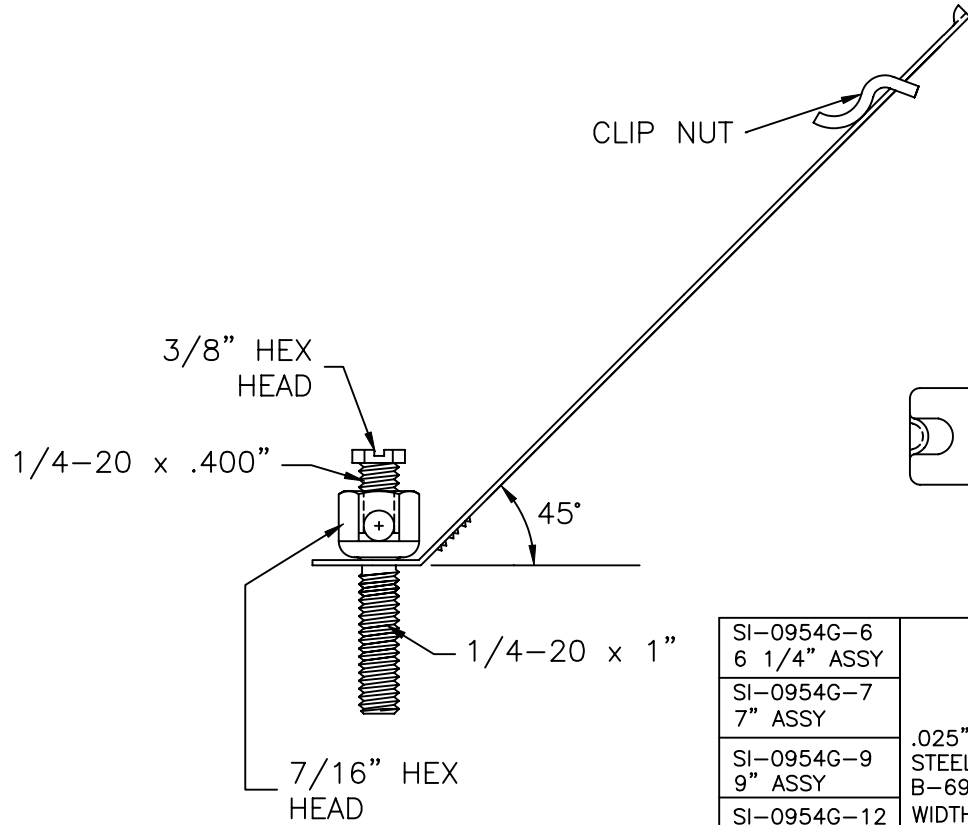
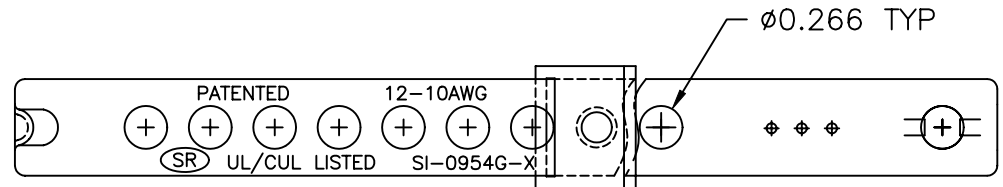
USE OR REPRODUCTION OF THIS DRAWING FOR THE PURPOSE OF MANUFACTURING THIS ARTICLE OR ANY ARTICLES SHOWN FOR ANY PURPOSE IS STRICTLY PROHIBITED WITHOUT WRITTEN PERMISSION FROM SENIOR INDUSTRIES, INC.

SPECIFICATIONS:

MECHANICAL:

RANGE: #12-#10 COPPER GROUND WIRE
 WIRE INSTALLATION TORQUE: APPROX. 55 IN-LBS MIN.
 AGENCY APPROVALS: UL/CUL FILE NO. E137532

MARKINGS ON STRAP AS SHOWN:



SI-0954G-6 6 1/4" ASSY	.025" GALVANIZED STEEL PER ASTM B-695 WIDTH: .600"	STRAP, 6 1/4"	Ni PLATED BRASS	Ni PLATED BRASS	.075" THICK STEEL, MECHANICALLY GALVANIZED PER ASTM B-695
SI-0954G-7 7" ASSY		STRAP, 7"			
SI-0954G-9 9" ASSY		STRAP, 9"			
SI-0954G-12 12" ASSY		STRAP, 12"			
SI-0954G-24 24" ASSY		STRAP, 24"			
PART NO.	STRAP MATERIAL	STRAP LENGTH	STUD MATERIAL	SET SCREW MATERIAL	CLIP NUT



DESIGNED:			SYM.	DATE:	DESCRIPTION OF REVISIONS:	DRAWN:	APPD:	TOLERANCE:	PART NO:	SI-0954G-X
DRAWN:	GAT	09/10/07	▲	09.10.07	NEW	GAT	JF	TO 2 DECIMAL PLACE: ± TO 3 DECIMAL PLACES: ± AS ANGLES: ±	TITLE:	UNIVERSAL GROUND CLAMP
CHECKED:	GAT	06/23/10	▲	06.23.10	Add SI-0954G-7 and SI-0954G-24 PNs.	GAT	JF		SHEET:	1 OF 1
APPROVED:	JF	06/23/10	▲							
3RD ANGLE		UNIT: IN		SCALE: 1:1	REV: B					