

COMPONENT SPECIFICATION

USE OR REPRODUCTION OF THIS DRAWING FOR THE PURPOSE OF MANUFACTURING THIS ARTICLE OR ANY ARTICLES SHOWN FOR ANY PURPOSE IS STRICTLY PROHIBITED WITHOUT WRITTEN PERMISSION FROM SENIOR INDUSTRIES, INC.

SPECIFICATIONS:

MECHANICAL:

RANGE:

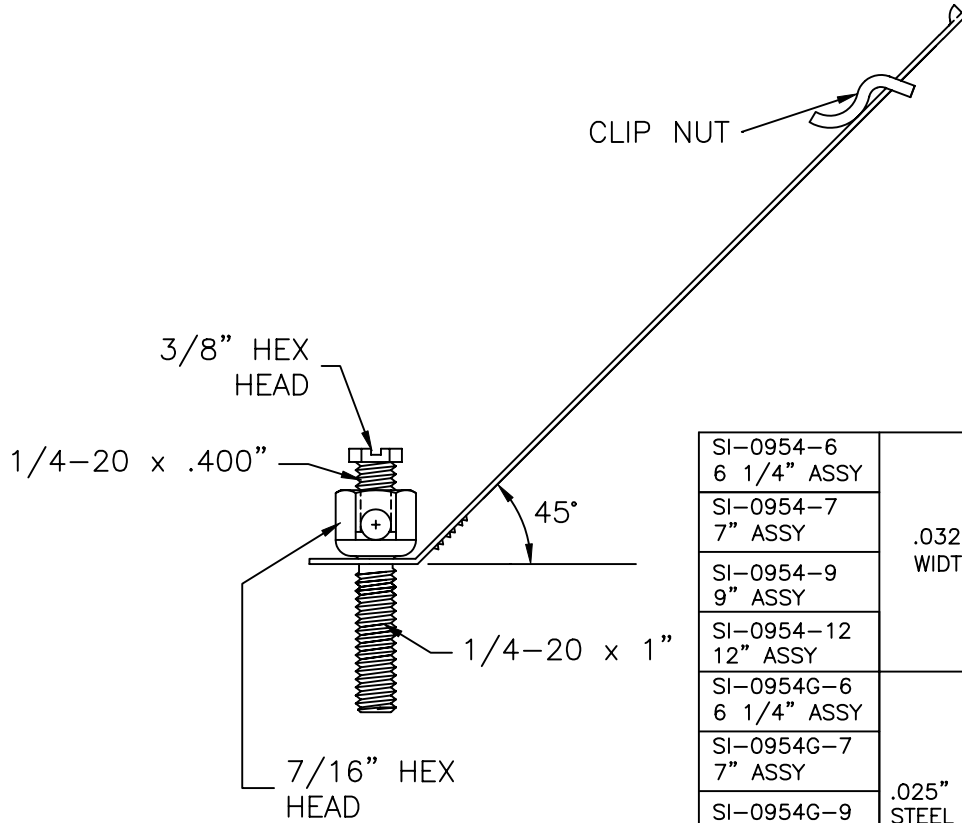
COPPER: #12-#6 COPPER GROUND WIRE
 GALVANIZED STEEL: #12-#10 COPPER GROUND WIRE

INSTALLATION TORQUE:

COPPER: APPROX. 35 IN-LBS MIN.
 GALVANIZED STEEL: APPROX. 55 IN-LBS MIN.

AGENCY APPROVALS:

UL/CUL FILE NO. E137532



SI-0954-6 6 1/4" ASSY	.032" COPPER WIDTH: .600"	STRAP, 6 1/4"	BRASS, PLAIN FINISH	BRASS, PLAIN FINISH	.075" THICK BRASS, PLAIN FINISH
SI-0954-7 7" ASSY		STRAP, 7"			
SI-0954-9 9" ASSY		STRAP, 9"			
SI-0954-12 12" ASSY		STRAP, 12"			
SI-0954G-6 6 1/4" ASSY	.025" GALVANIZED STEEL PER ASTM B-695 WIDTH: .600"	STRAP, 6 1/4"	Ni PLATED BRASS	Ni PLATED BRASS	.075" THICK STEEL, MECHANICALLY GALVANIZED PER ASTM B-695
SI-0954G-7 7" ASSY		STRAP, 7"			
SI-0954G-9 9" ASSY		STRAP, 9"			
SI-0954G-12 12" ASSY		STRAP, 12"			
SI-0954G-24 24" ASSY		STRAP, 24"			
PART NO.	STRAP MATERIAL	STRAP LENGTH	STUD MATERIAL	SET SCREW MATERIAL	CLIP NUT



SENIOR INDUSTRIES, INC.

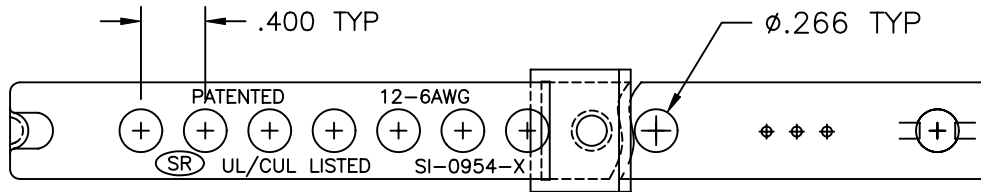
DESIGNED:			SYM.	DATE:	DESCRIPTION OF REVISIONS:	DRAWN:	APPD:	TOLERANCE:	PART NO:	SI-0954X-X
DRAWN:	GAT	09/10/07	▲	11.05.07	NEW	GAT	JF			
CHECKED:	GAT	06/23/10	▲	06.23.10	Added SI-0954-7, SI-0954G-7 and SI-0954G-24 PNs.	GAT	JF	TO 2 DECIMAL PLACE: ±	TITLE:	UNIVERSAL GROUND CLAMP
APPROVED:	JF	06/23/10	▲					TO 3 DECIMAL PLACES: ±		
3RD ANGLE		UNIT:	IN	SCALE:	1:1	REV:	B	AS ANGLES: ±	SHEET:	1 OF 2

COMPONENT SPECIFICATION

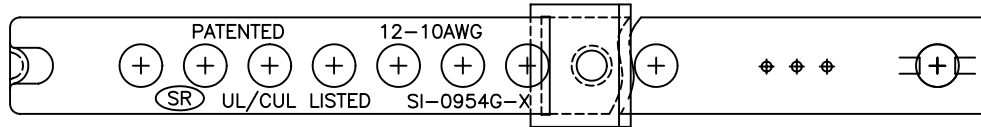
USE OR REPRODUCTION OF THIS DRAWING FOR THE PURPOSE OF MANUFACTURING THIS ARTICLE OR ANY ARTICLES SHOWN FOR ANY PURPOSE IS STRICTLY PROHIBITED WITHOUT WRITTEN PERMISSION FROM SENIOR INDUSTRIES, INC.

MARKINGS ON STRAP AS SHOWN:

SI-0954-X



SI-0954G-X



SENIOR INDUSTRIES, INC.

DESIGNED:			SYM.	DATE:	DESCRIPTION OF REVISIONS:	DRAWN:	APPD:
DRAWN:	GAT	09/10/07	▲	11.05.07	NEW	GAT	JF
CHECKED:	GAT	06/23/10	▲	06.23.10	Added SI-0954-7, SI-0954G-7 and SI-0954G-24 PNs.	GAT	JF
APPROVED:	JF	06/23/10	▲	.			
			▲	.			
			▲	.			
3RD ANGLE		UNIT:	IN	SCALE:	1:1	REV:	B

TOLERANCE:	PART NO:	SI-0954X-X
TO 2 DECIMAL PLACE: ±	TITLE:	UNIVERSAL GROUND CLAMP
TO 3 DECIMAL PLACES: ±	SHEET:	2 OF 2
AS ANGLES: ±		