

1

2

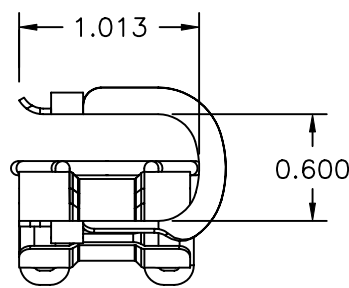
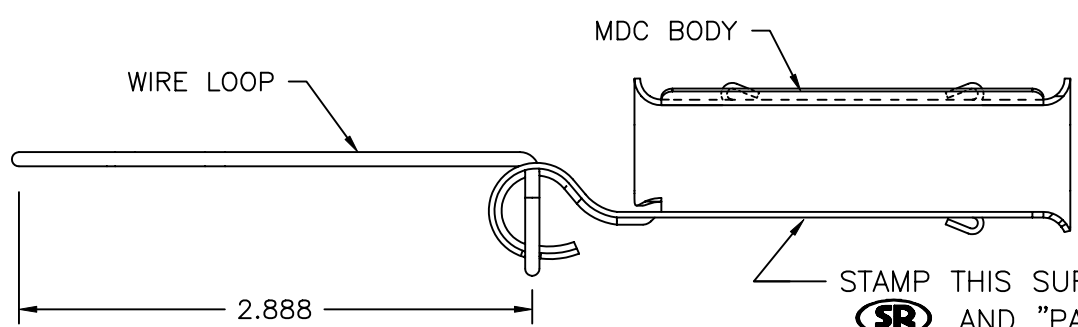
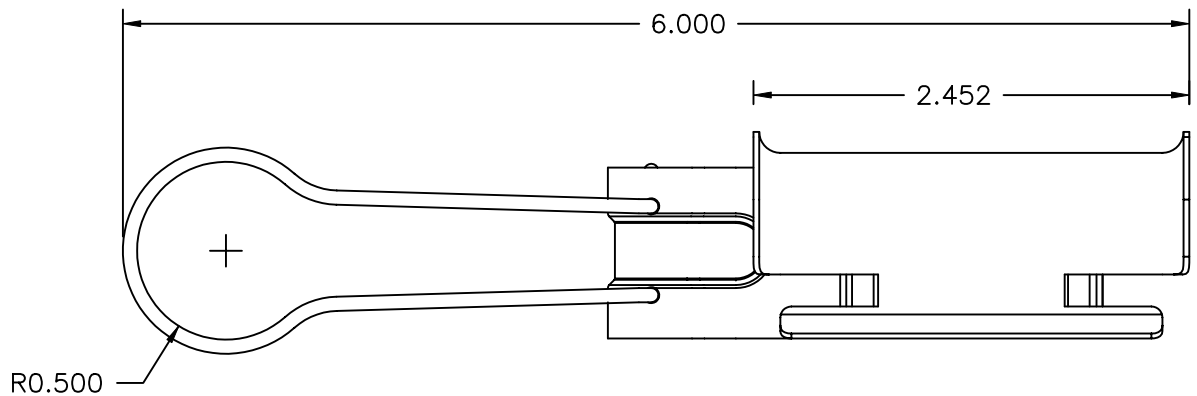
3

4

5

COMPONENT SPECIFICATION

USE OR REPRODUCTION OF THIS DRAWING FOR THE PURPOSE OF MANUFACTURING THIS ARTICLE OR ANY ARTICLES SHOWN FOR ANY PURPOSE IS STRICTLY PROHIBITED WITHOUT WRITTEN PERMISSION FROM SENIOR INDUSTRIES, INC.



SPECIFICATIONS:

MECHANICAL:

RANGE: ACCEPTS RG 6, RG 6Q, RG 11 AND RG 59, WITH .061" OR .072" DIAMETER MESSENGER WIRE

TENSILE LOAD: 200 LBS MIN.

MATERIAL:

WIRE LOOP: .080" DIA 300 SERIES STAINLESS STEEL WIRE.

MDC BODY: .050 6061 T6 ALUMINUM.



SENIOR INDUSTRIES, INC.

DESIGNED:			SYM.	DATE:	DESCRIPTION OF REVISIONS:	DRAWN:	APPD:
DRAWN:	HV	09/12/06	▲	09.12.06	NEW	GAT	JF
CHECKED:	GAT	09/12/06	▲	.			
APPROVED:	JF	09/12/06	▲	.			

TOLERANCE:	PART NO:	SI-0969
TO 2 DECIMAL PLACE: ±	TITLE:	2 PIECE MDC ASSEMBLY
TO 3 DECIMAL PLACES: ±	SHEET:	1 OF 1

3RD ANGLE		UNIT:	IN	SCALE:	1:1	REV:	
-----------	--	-------	----	--------	-----	------	--

AS ANGLES:	±
------------	---