

1

2

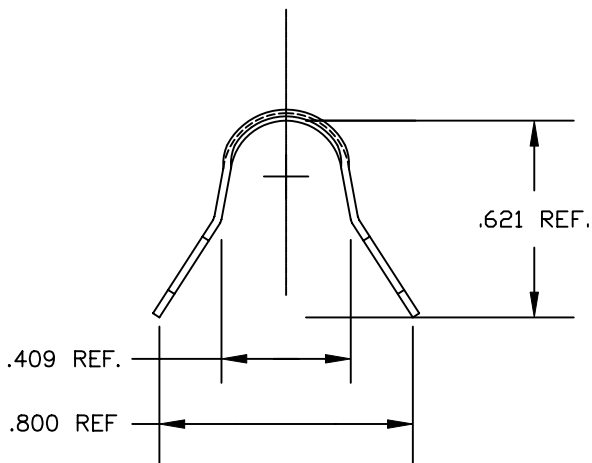
3

4

5

COMPONENT SPECIFICATION

USE OR REPRODUCTION OF THIS DRAWING FOR THE PURPOSE OF MANUFACTURING THIS ARTICLE OR ANY ARTICLES SHOWN FOR ANY PURPOSE IS STRICTLY PROHIBITED WITHOUT WRITTEN PERMISSION FROM SENIOR INDUSTRIES, INC.



SPECIFICATIONS

MECHANICAL

FOR USE WITH RG 6 CABLE

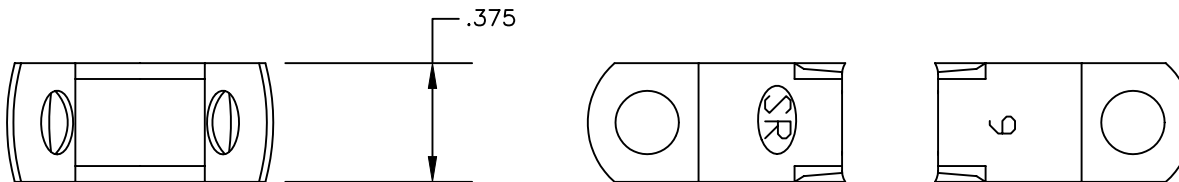
MATERIAL:

ALUMINUM

PACKAGING:

PACKAGE QUANTITY: 500

CARTON QUANTITY: 1000



SENIOR INDUSTRIES, INC.

DESIGNED:			SYM.	DATE:	DESCRIPTION OF REVISIONS:	DRAWN:	APPD:	TOLERANCE:
DRAWN:	MAW	03/01/11	▲	03.01.11	NEW	MAW	JF	
CHECKED:	MAW	03/01/11	▲	..				TO 2 DEC. PLACES: ±
APPROVED:	JF	03/01/11	▲	..				TO 3 DEC. PLACES: ±
3RD ANGLE		UNIT:	inches	SCALE:	3:1	REV:	A	AS ANGLES: ±

PART NO:	SI-0988-6
TITLE:	U CABLE CLIP
SHEET:	1 OF 1