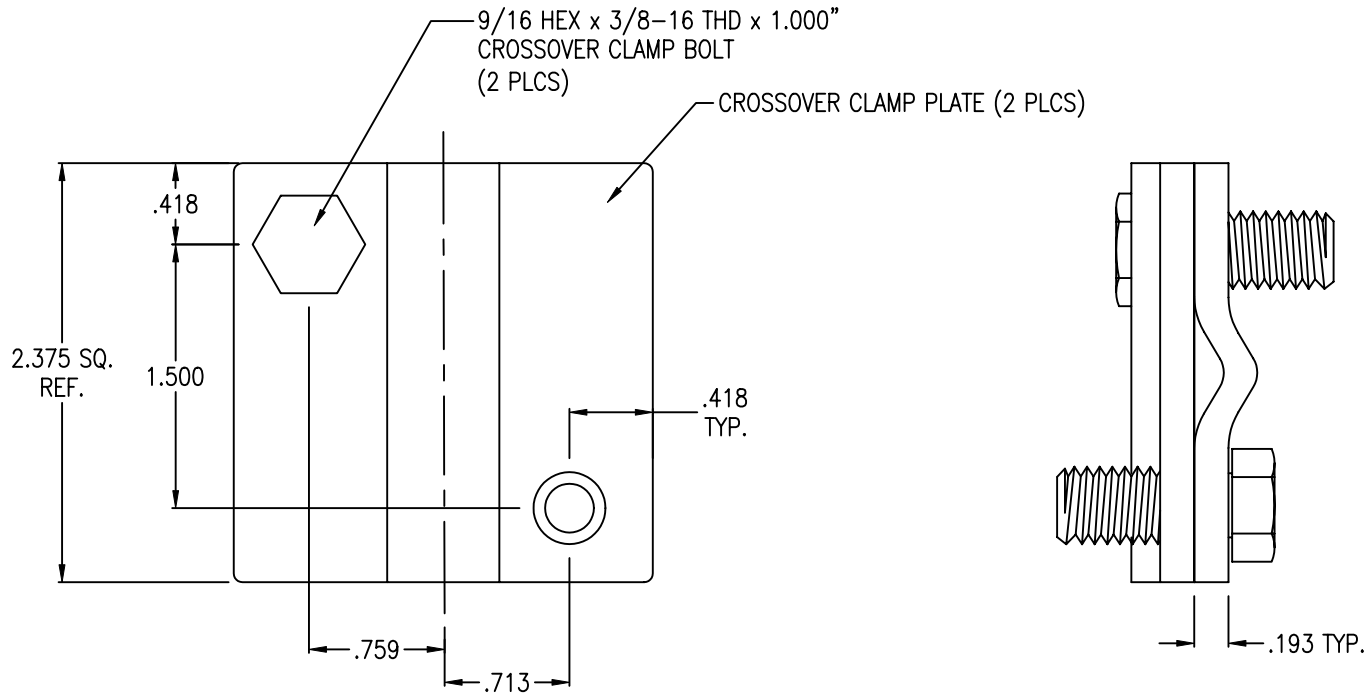


COMPONENT SPECIFICATION

USE OR REPRODUCTION OF THIS DRAWING FOR THE PURPOSE OF MANUFACTURING THIS ARTICLE OR ANY ARTICLES SHOWN FOR ANY PURPOSE IS STRICTLY PROHIBITED WITHOUT WRITTEN PERMISSION FROM SENIOR INDUSTRIES, INC.



NOTES:

1. MATERIAL: MILD STEEL.
2. PLATE FINISH: HOT DIP GALVANIZE PER ASTM A-153.
2. BOLTS FINISH: MACHANICAL PLATING PER ASTM B-695.
3. USED TO CLAMP INTERSECTING 1/4" TO 3/8" STRAND RUNS.



DESIGNED:			SYM:	DATE:	DESCRIPTION OF REVISIONS:	DRAWN:	APPD:	TOLERANCE:	PART NO:	SI-1756
DRAWN:	GAT	06/22/10	△	06.22.10	NEW	GAT	JF			
CHECKED:	GAT	06/22/10	△	.	.			TO 2 DECIMAL PLACE:	TITLE:	CROSSOVER CLAMP
APPROVED:	JF	06/22/10	△	.	.			TO 3 DECIMAL PLACES:		
3RD ANGLE		UNIT:	inches	SCALE:	1:1	REV.	A	AS ANGLES:	SHEET:	1 OF 1