

COMPONENT SPECIFICATION

USE OR REPRODUCTION OF THIS DRAWING FOR THE PURPOSE OF MANUFACTURING THIS ARTICLE OR ANY ARTICLES SHOWN FOR ANY PURPOSE IS STRICTLY PROHIBITED WITHOUT WRITTEN PERMISSION FROM SENIOR INDUSTRIES, INC.

SPECIFICATIONS:

MECHANICAL:

RANGE: #12-#6 COPPER GROUND WIRE

TORQUE:

SET SCREW/GROUND STUD: APPROX. 35 IN-LBS MIN.

AGENCY APPROVALS: UL/CUL FILE NO. E137532

MATERIAL:

BRACKET: .050" THICK ALUMINUM

STUD: NICKEL PLATED BRASS

SET SCREW: NICKEL PLATED BRASS

HEX NUT: NICKEL PLATED BRASS

LOCKWASHER: STAINLESS STEEL

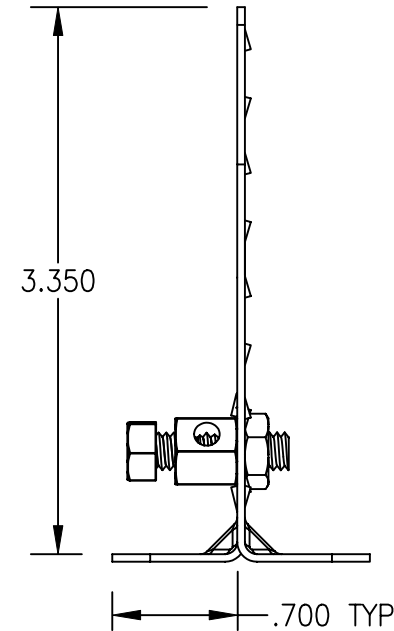
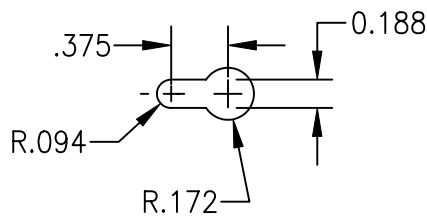
16 LOCATIONS FOR F CONNECTOR ASSEMBLY

SEE GROUND WIRE RANGE NOTE

3/8 HEX HEAD

SEE DETAIL X

DETAIL X



| | | | | | | | |
|-----------|-----|----------|--------|----------|-------------------------------------|--------|-------|
| DESIGNED: | | | SYM. | DATE: | DESCRIPTION OF REVISIONS: | DRAWN: | APPD: |
| DRAWN: | GAT | 07/12/05 | ▲ | 03.20.07 | NEW | GAT | JF |
| CHECKED: | GAT | 01/30/09 | ▲ | 01.30.09 | Changed orientation of hole in stud | GAT | JF |
| APPROVED: | JF | 01/30/09 | ▲ | . | . | | |
| | | | ▲ | . | . | | |
| | | | ▲ | . | . | | |
| 3RD ANGLE | | UNIT: | inches | SCALE: | 1:1 | REV: | B |



| | | |
|------------------------|----------|--------------------|
| TOLERANCE: | PART NO: | SI-2040 |
| TO 2 DECIMAL PLACE: ± | TITLE: | DEMARCATIION PLATE |
| TO 3 DECIMAL PLACES: ± | SHEET: | 1 OF 1 |
| AS ANGLES: ± | | |