

COMPONENT SPECIFICATION

USE OR REPRODUCTION OF THIS DRAWING FOR THE PURPOSE OF MANUFACTURING THIS ARTICLE OR ANY ARTICLES SHOWN FOR ANY PURPOSE IS STRICTLY PROHIBITED WITHOUT WRITTEN PERMISSION FROM SENIOR INDUSTRIES, INC.

SPECIFICATIONS:

MECHANICAL:

RANGE: (2) NO. 3 AWG SOLID TO (2) 2/0 STRANDED COPPER WIRES.

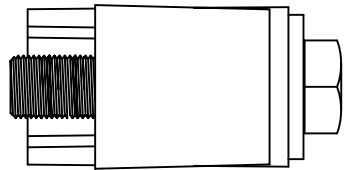
TORQUE STRENGTH: 30 FT-LBS MIN. WITHOUT DEGRADATION, USING EITHER TWO NO. 3 AWG WIRES OR TWO 2/0 STRANDED WIRES

MATERIAL:

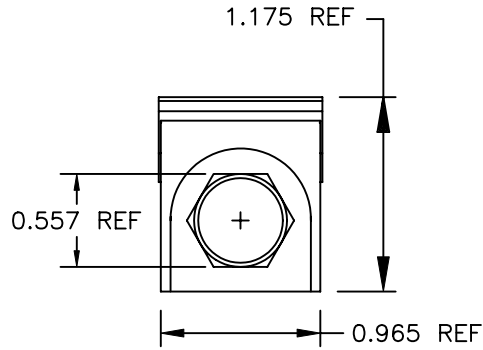
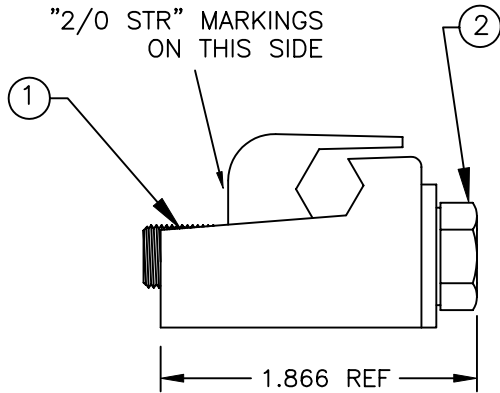
CONNECTOR BODY: HIGH STRENGTH COPPER ALLOY  
STUD: STAINLESS STEEL

REGULATORY:

COMPLIES WITH UL STANDARD 467 FOR GROUNDING AND BONDING EQUIPMENT.



"SR" LOGO AND "2/0 STR" MARKINGS ON THIS SIDE



2	STUD
1	CONNECTOR BODY
ITEM	DESCRIPTION



**SENIOR INDUSTRIES, INC.**

DESIGNED:			SYM.	DATE:	DESCRIPTION OF REVISIONS:	DRAWN:	APPD:
DRAWN:	HV	06/03/98	▲	05.21.07	NEW	GAT	JF
CHECKED:	GAT	05/21/07	▲	.	.		
APPROVED:	JF	05/21/07	▲	.	.		

TOLERANCE:	PART NO:	SI-2140
TO 2 DECIMAL PLACE: ±	TITLE	GROUNDING CONNECTOR
TO 3 DECIMAL PLACES: ±	SHEET:	1 OF 1
AS ANGLES: ±		

3RD ANGLE		UNIT:	IN	SCALE:	1:1	REV.	A
-----------	--	-------	----	--------	-----	------	---